

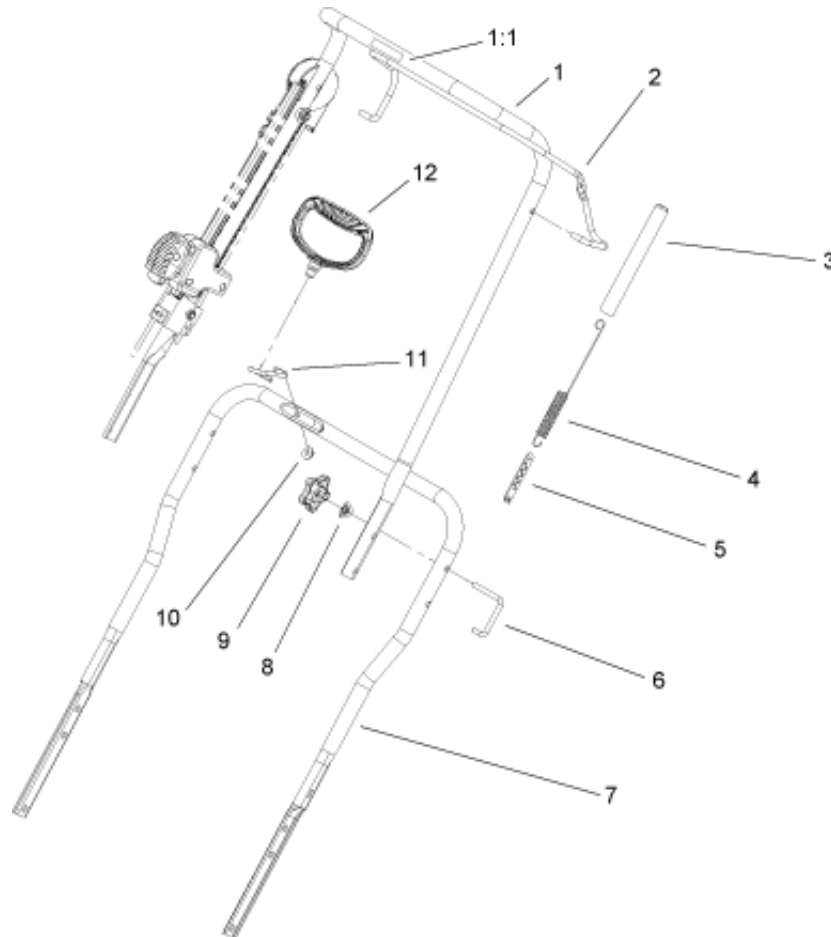


Handle Assembly

Model #: 38583

Year: 2009

Serial #: 290000001 - 290999999



No.	Description	Qty.
1	114-3768UPPER HANDLE ASM	1
1:1	94-2577DECAL-DRIVE, ROTOR	1
2	114-3780-03BAIL-CONTROL	1
3	114-3796COVER-SPRING	1

No.	Description	Qty.
6	108-4887LOCK-HANDLE	2
7	108-4944-03HANDLE-LOWER	1
8	107-3844WASHER	2
9	106-4161KNOB-HANDLE	2
	114-3778NUT-	

4	108-4920SPRING-EXTENSION	1
5	71-5330ADJUSTER-CABLE, CLUTCH	1

10	LOCK, NI	1
11	108-4949GUIDE-ROPE	1
12	110-9375RECOIL-HANDLE	1