

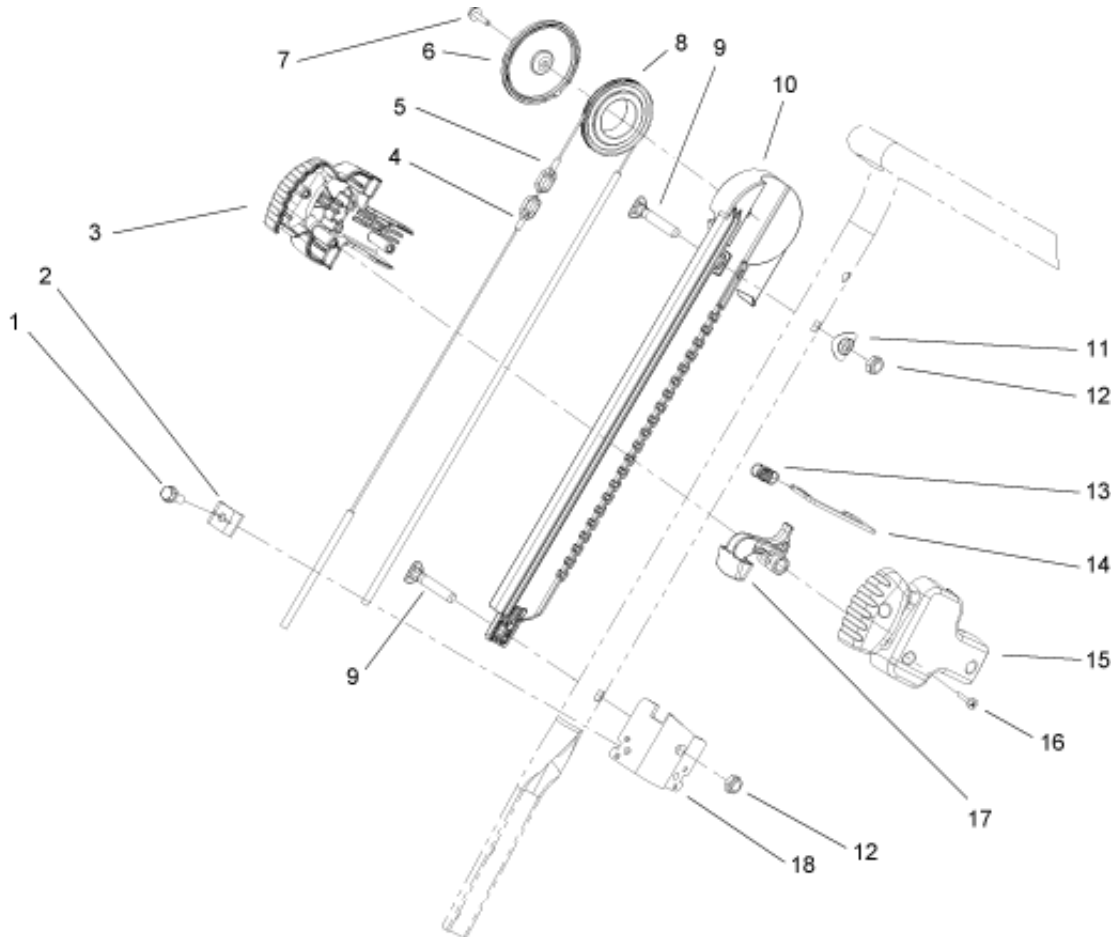


## Quick Turn Assembly

**Model #:** 38583

**Year:** 2009

**Serial #:** 290000001 - 290999999



| No. | Description                | Qty. |
|-----|----------------------------|------|
| 1   | 32144-85SCREW-HWH          | 2    |
| 2   | 106-7297CLAMP-CABLE        | 2    |
| 3   | 108-4912HANDLE-SLIDER, RH  | 1    |
| 4   | 108-4897CABLE-CHUTE, SHORT | 1    |

| No. | Description          | Qty. |
|-----|----------------------|------|
| 9   | 107-3018SCREW-HANDLE | 2    |
| 10  | 108-4899TRACK-SLIDER | 1    |
| 11  | 107-3844WASHER       | 1    |
| 12  | 3296-47NUT-LOCK, NI  | 2    |
|     | 108-4914SPRING-      |      |

|   |                           |   |
|---|---------------------------|---|
| 5 | 108-4898CABLE-CHUTE, LONG | 1 |
| 6 | 108-4931COVER-PULLEY      | 1 |
| 7 | 98-1375SCREW-HWH          | 1 |
| 8 | 108-4907PULLEY-SLIDER     | 1 |

|    |                           |   |
|----|---------------------------|---|
| 13 | TRIGGER                   | 1 |
| 14 | 108-4908PLATE-LOCK, CHUTE | 1 |
| 15 | 108-4911HANDLE-SLIDER, LH | 1 |
| 16 | 94-4496SCREW-PPH          | 3 |
| 17 | 108-4913TRIGGER           | 1 |
| 18 | 108-4909BRACKET-CABLE     | 1 |