

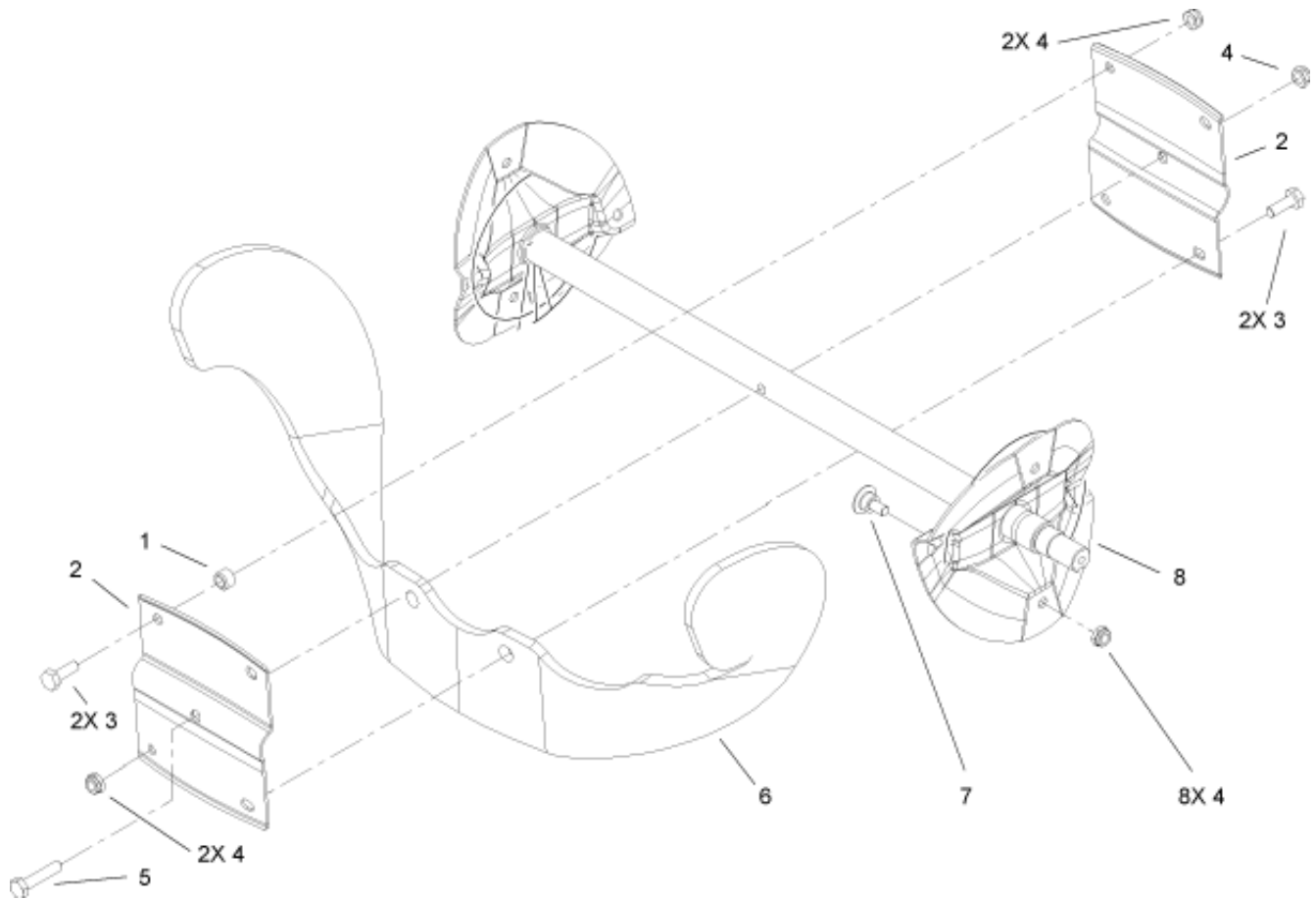


Rotor Assembly

Model #: 38583

Year: 2009

Serial #: 290000001 - 290999999



No.	Description	Qty.
1	55-9370SPACER-BLADE, ROTOR	4
2	66-6600-03HALF-ROTOR	2
3	321-4SCREW-HH	4

No.	Description	Qty.
4	3296-56NUT-LOCK, NI	13
5	321-8SCREW-HH	1
6	99-9313BLADE-ROTOR	2
7	84-1971SCREW	8
8	108-4894-03ROTOR	1