

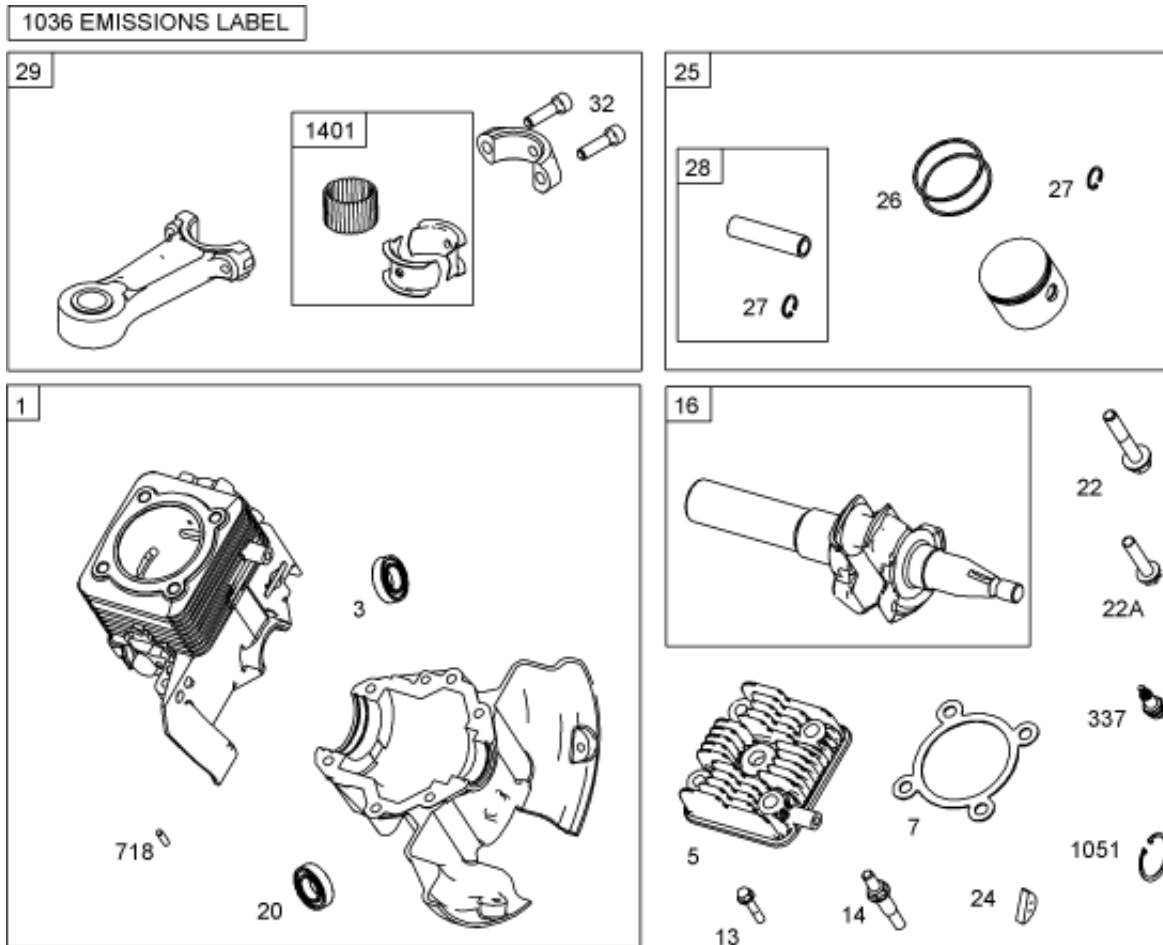


## Cylinder, Piston and Connecting Rod Assemblies Briggs and Stratton 084232-0121-E8

**Model #:** 38583

**Year:** 2009

**Serial #:** 290000001 - 290999999



No.	Description	Qty.
1	801260Cylinder ASM (Non Boost, Rewind Start)	1
3	801262Seal-Oil (Magneto Side)	1
5	801283Head-Cylinder	1

No.	Description	Qty.
24	801234Key-Flywheel	1
25	801279Piston ASM	1
26	801280Ring Set	1
27	801275Lock-Pin, Piston	1
28	801276Pin-Piston	1

7	801263Gasket-Head, Cylinder	1
13	801264Screw (Cylinder Head)	1
14	801265Stud (Cylinder Head)	1
16	801220Crankshaft ASM	1
20	801261Seal-Oil (PTO Side)	1
22	801266Screw (Crankcase Cover and Sump)	1
22A	801271Screw (Crankcase Cover and Sump)	1

29	801277Rod-Connecting	1
32	801278Screw (Connecting Rod)	1
337	801254Sparkplug	1
718	690959Pin-Locating	1
1051	801274Ring-Retaining	1
1036	801294Label-Emissions (Available from an Authorized Briggs and Stratton Service Dealer)	1
1401	801290Roller-Strip	1