



Sno-Thro®

Parts Manual

Models

926001 - 926LE
926002 - 11528LE
926003 - 1332LE
926004 - 926DLE
926005 - 11526DLE
926006 - 1328DLE
926101 - 926LE
926102 - 11528LE
926103 - 1332LE
926300 - 11526DLE
926301 - 926DLE
926302 - 1332LE
926303 - 1328LE
926304 - 11528LE
926500 - 1332DLE
926501 - 1336DLE
926502 - 936 Brush
926504 - 8526LE



THE MANUAL

Before you operate your unit, carefully and completely read manuals supplied with the unit. The contents will provide you with an understanding of safety instructions and controls during normal operation and maintenance.

For your safety and the safety of others always read, understand, and follow all DANGER, WARNING, and CAUTION messages found in manuals and on safety decals.

Hardware descriptions are given in decimals.

Decimals to Fractions			
.063	1/16	.563	9/16
.125	1/8	.625	5/8
.188	3/16	.688	11/16
.250	1/4	.750	3/4
.313	5/16	.813	13/16
.375	3/8	.875	7/8
.438	7/16	.938	15/16
.500	1/2	1.00	1

SERVICE AND REPLACEMENT PARTS

When ordering replacement parts or making service inquiries, know the Model and Serial numbers of your unit and engine.

Numbers are located on the product registration card in the unit literature package. They are printed on a serial number label, located on the frame of your unit.

• Record Unit Model and Serial numbers here:

• Record Engine Model and Serial numbers here:

UNAUTHORIZED REPLACEMENT PARTS

Use only Ariens replacement parts. The replacement of any part on this vehicle with anything other than an Ariens authorized replacement part may adversely affect the performance, durability, or safety of this unit and may void the warranty. Ariens disclaims liability for any claims or damages, whether warranty, property damage, personal injury or death arising out of the use of unauthorized replacement parts.

PRODUCT REGISTRATION

The Ariens dealer must register the product at the time of purchase. Registering the product will help the company process warranty claims or contact you with the latest service information. All claims meeting requirements during the limited warranty period will be honored, whether or not the product registration card is returned. Keep a proof of purchase if you do not register your unit.

Customer Note: If Dealer does not register your product, please fill out, sign and return the product registration card to Ariens or go to www.ariens.com.

YOUR SATISFACTION IS IMPORTANT

Questions? Please follow these helpful steps:

1. Refer to the manuals supplied with your unit.
They will guide you through safe and proper operation and maintenance.
They contain specifications on your unit.
If your questions are not answered in these manuals, go to step number two.
2. Contact Your Dealer.
Our dealers will be happy to supply any service or advice required to keep your unit operating at peak efficiency.

A factory trained staff is available to support your equipment needs. They stock genuine Ariens parts and lubricants manufactured with the same precision and skill as the original.

If your questions are not resolved by the support staff, ask for the manager or owner.

When contacting your Dealer supply your model and serial numbers.

TO SPEED PARTS ORDERING:

1. Know the model and serial numbers of your unit.
2. Know the part number required.
3. Know the quantity required.
4. Know the part description.

MODELS

Domestic

Model 926001 (926LE)

9H.P. 26" Sno-Thro
Serial No. 002634 and up

Model 926002 (11528LE)

11.5H.P. 28" Sno-Thro
Serial No. 001247 and up

Model 926003 (1332LE)

13H.P. 32" Sno-Thro
Serial No. 000270 and up

Model 926004 (926DLE)

9H.P. 26" Sno-Thro
Serial No. 001393 and up

Model 926005 (11526DLE)

11.5H.P. 26" Sno-Thro
Serial No. 000494 and up

Model 926006 (1328DLE)

13H.P. 28" Sno-Thro
Serial No. 000298 and up

Model 926101 (926LE)

9H.P. 26" Sno-Thro
Serial No. 002692 and up

Model 926102 (11528LE)

11.5H.P. 28" Sno-Thro
Serial No. 002381 and up

Model 926103 (1332LE)

13H.P. 32" Sno-Thro
Serial No. 000279 and up

International

Model 926300 (11526DLE)

11.5H.P. 26" Sno-Thro
Serial No. 000260 and up

Model 926301 (926DLE)

9H.P. 26" Sno-Thro
Serial No. 000538 and up

Model 926302 (1332LE)

13H.P. 32" Sno-Thro
Serial No. 000337 and up

Model 926303 (1328LE)

13H.P. 28" Sno-Thro
Serial No. 000184 and up

Model 926304 (11528LE)

11.5H.P. 28" Sno-Thro
Serial No. 000339 and up

Global

Model 926500 (1332DLE)

13H.P. 32" Sno-Thro
Serial No. 000387 and up

Model 926501 (1336DLE)

13H.P. 36" Sno-Thro
Serial No. 000287 and up

Model 926502 (936)

9H.P. 36" Sno-Brush
Serial No. 000130 and up

Model 926504 (8526LE)

8.5H.P. 26" Sno-Thro
Serial No. 001204 and up

TABLE OF CONTENTS

DECALS

Decals 4

ENGINE AND DRIVE

Engine and Belt Drive 6

MAIN FRAME

Speed Selector and Frame 8

Wheels and Axle 10

Reduction Drive 13

OPERATORS CONTROLS

Handlebars, Lever Controls, Panel and Dash 14

Cables and Controls. 16

BLOWER

Chute, Auger and Battery. 18

Gear Case-Aluminum. 21

Gear Case-Cast Iron 22

Discharge Chute - Manual and Electric 24

BRUSH

Brush Head 25

Brush Drive Unit. 27

ELECTRICAL SYSTEMS

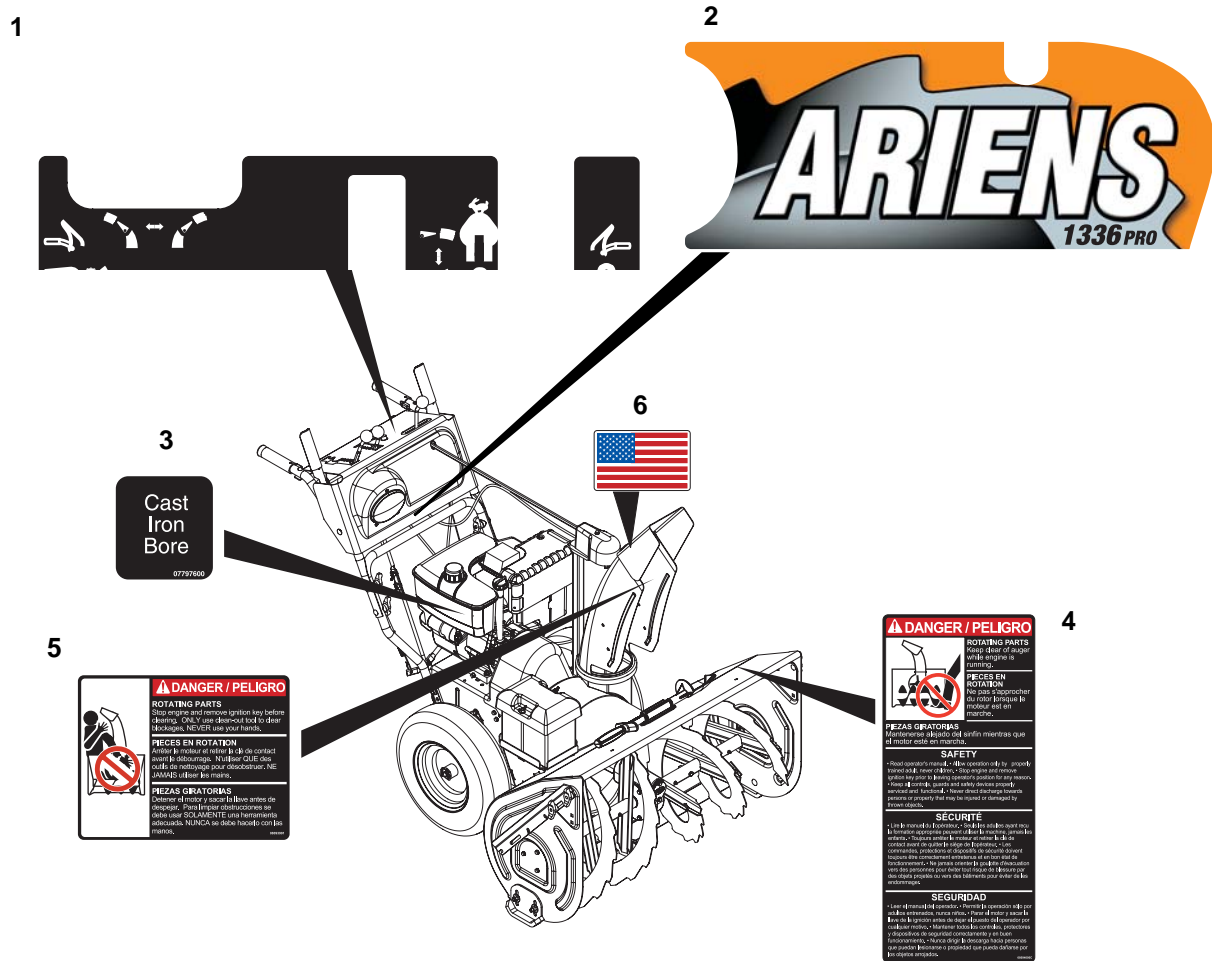
Electrical. 29

Continuity Diagrams. 30

Wiring Diagrams. 30

DECALS

Model 926001, 002, 003, 004, 005, 006, 101, 102, 103, 300, 301, 302, 303, 304, 500, 501, 504

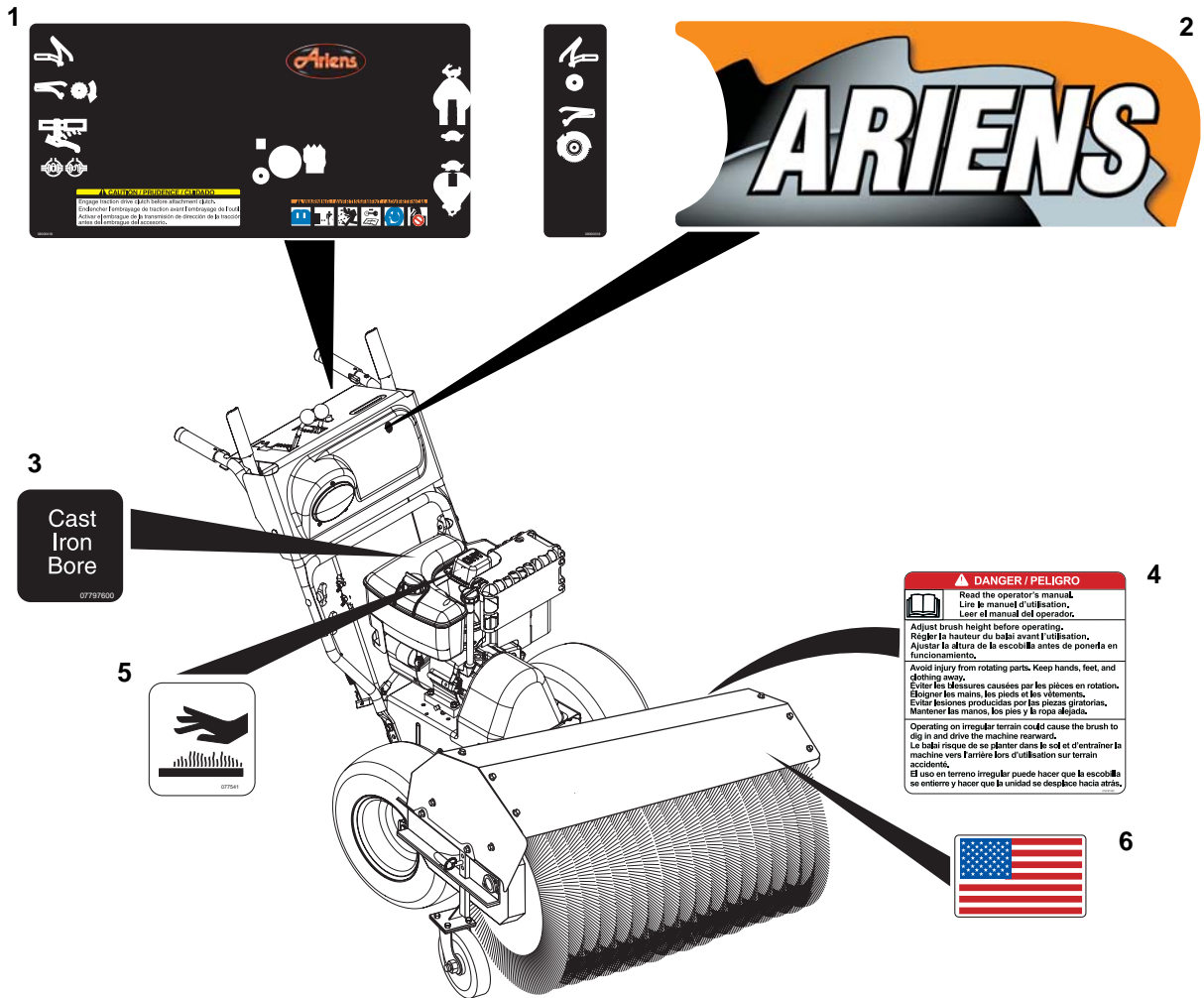


Item	Part No.	Qty.	Description
1	08000011	1	Decal, Control (001, 101, 504)
	08000016	1	Decal, Control Hand Warmer (002, 003, 004, 005, 006, 102, 103, 300, 301, 302, 303, 304)
	08000017	1	Decal, Control 12v (500, 501)
2	08000021	1	Decal, Front Dash - 926LE (001, 101)
	08000022	1	Decal, Front Dash - 11528LE (002, 102, 304)
	08000023	1	Decal, Front Dash - 1332LE (003, 103, 302)
	08000024	1	Decal, Front Dash - 1328LE (303)
	08000025	1	Decal, Front Dash - 926DLE (004, 301)
	08000026	1	Decal, Front Dash - 11526DLE (005, 300)
	08000027	1	Decal, Front Dash - 1328DLE (006)
	08000028	1	Decal, Front Dash - 1332DLE (500)
	08000029	1	Decal, Front Dash - 1336DLE (501)
	08000032	1	Decal, Front Dash - 8526LE (504)
3	07797600	1	Decal, Cast Iron Bore
4	08094000	1	Decal, Danger
5	08093901	1	Decal, Danger - Rotating Parts
6	05305100	1	Decal, American Flag

PS0416

DECALS

Model 926502

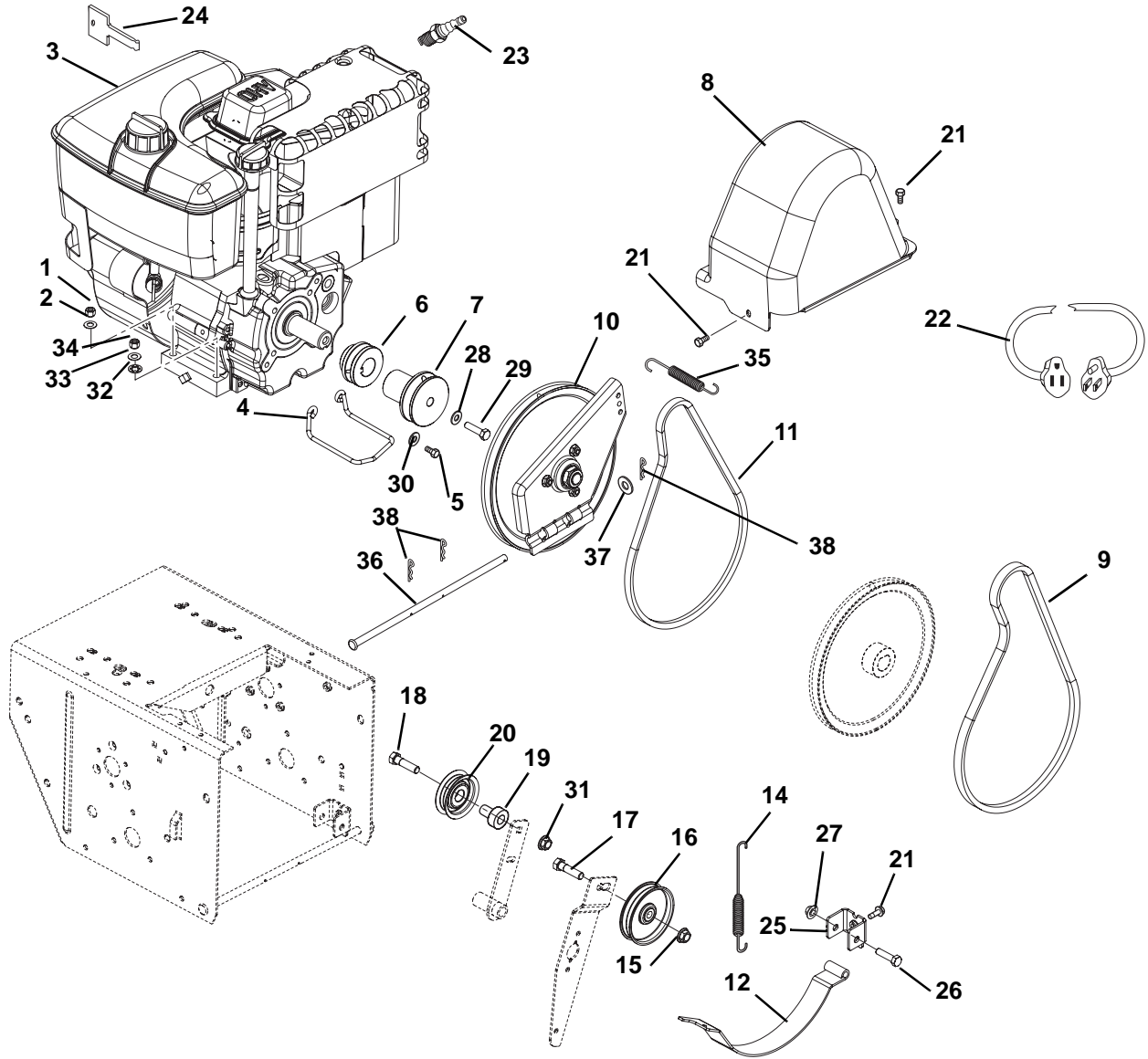


Item	Part No.	Qty.	Description
1	08000018	1	Decal, Control-Ariens PB
2	08000030	1	Decal, Front Dash-Ariens BRUSH
3	07797600	1	Decal, Cast Iron Bore
4	07873100	1	Decal, Caution
5	07754100	1	Decal, Hot Surface
6	05305100	1	Decal, American Flag

PS0871

ENGINE AND BELT DRIVE

Model 926001, 002, 003, 004, 005, 006, 101, 102, 103, 300, 301, 302, 303, 304, 500, 501, 502, 504



PS1082

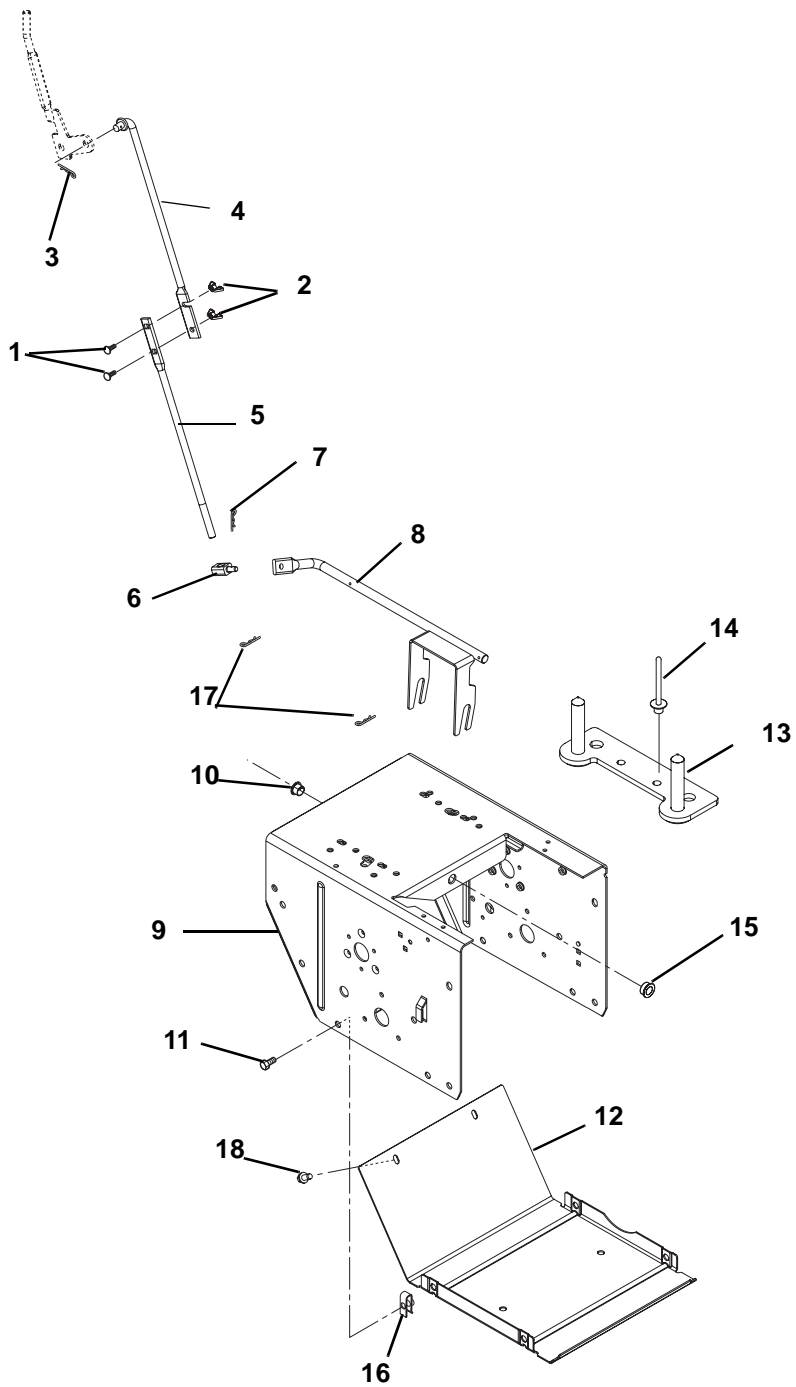
ENGINE AND BELT DRIVE

Model 926001, 002, 003, 004, 005, 006, 101, 102, 103, 300, 301, 302, 303, 304, 500, 501, 502, 504

Item	Part No.	Qty.	Description
1	06529200	3	Nut, Hex .31-18 (500, 501)
	06529200	4	Nut, Hex .31-18
2	06307400	3	Washer, Lock .312 x .097 (500, 501)
	06307400	4	Washer, Lock .312 x .097
3	08200038	1	Engine, 9.25HP Tecumseh LH318SA - 156582H - 120 Volt (001, 101)
	08200039	1	Engine, 9.25HP Tecumseh LH318SA - 156581H - 240 Volt (504)
	08200040	1	Engine, 9.25HP OHV Tecumseh OH318SA - 221825B - 120 Volt (004)
	08200041	1	Engine, 9.25HP OHV Tecumseh OH318SA - 221827B - 240 Volt (301)
	08200043	1	Engine, 11.5HP OHV Tecumseh OH318SA - 221828B - 120 Volt (002, 005, 102)
	08200044	1	Engine, 11.5HP OHV Tecumseh OH318SA - 221826B - 240 Volt (300, 304)
	08200045	1	Engine, 13HP Tecumseh OHV OH358SA - 223842F - 120 Volt (003, 006, 103)
	08200046	1	Engine, 13HP Tecumseh OHV OH358SA - 223841F - 240 Volt (302, 303)
	08200047	1	Engine, 13HP Tecumseh OHV OH358SA - 223843F - 12 Volt (500, 501)
	08200042	1	Engine, 9HP Tecumseh OHV OH318EA - 222719E - (502)
4	00461900	1	Belt Finger
5	05947300	2	Bolt, Hex .31-24 x .75 Grade 5
6	00397100	1	Sheave, Drive
7	00397000	1	Sheave, Attachment
8	00384100	1	Cover, Belt
9	07200020	1	V-Belt 4L 37.06 (001, 002, 004, 005, 101, 102, 300, 301, 304, 502, 504)
	07200021	1	V-Belt 4L 38.00 (003, 006, 103, 302, 303, 500, 501)
10	52602100	1	Plate, Swing Assembly
11	07200101	1	V-Belt, Traction Drive (001, 002, 004, 005, 101, 102, 300, 301, 304, 502, 504)
	07200102	1	V-Belt, Traction Drive (003, 006, 103, 302, 303, 500, 501)
12	52601800	1	Arm, Brake Attachment with Pad
13	00180500	1	Pad, Brake
14	08300017	1	Spring, Tension .056 x .60 x 4.40
15	06542000	1	Nut, Locking Top Flange .38-16
16	07300013	1	Idler, Flat 3.00
17	05957900	1	Bolt, Hex .38-16 x 1.50 Grade 5
18	05947500	1	Bolt, Hex .31-18 x 1.25 Grade 5
19	01213100	1	Spacer, Bearing
20	02457400	1	Idler
21	07412000	4	Screw, Tapping .25-20 x .50 Hex Washer Head Thread Rolling
22	02483100	1	Cord, Extension 110V
23	21533500	1	Plug, Spark
24	07532000	1	Key, Push/Pull Tecumseh
25	00430751	1	Pivot, Brake
26	05957200	1	Bolt, Hex .31-18 x 2.00 Grade 5
27	06543100	1	Nut, Locking-Top-Flange .31-18
28	06308800	1	Washer, Locking .38 x .094
29	05958600	1	Bolt, Hex .38-24 x 2.0
30	06307400	2	Washer, Locking .312 x .097 Heavy
31	06543100	1	Nut, Locking-Top-Flange .31-18
32	06310500	1	Washer, Lock Internal .31 (500, 501)
33	06437200	1	Washer, Flat-Steel .344 x .688 x .065 (500, 501)
34	06529800	1	Nut, Locking-Center .31-18 (500, 501)
35	08300019	1	Spring, Tension .048 x .50 x 2.8
36	00380900	1	Rod, Housing Pivot
37	06436200	1	Washer, Flat Steel .406 x .812 x .065
38	06714800	3	Pin, Hair

SPEED SELECTOR AND FRAME

Model 926001, 002, 003, 004, 005, 006, 101, 102, 103, 300, 301, 302, 303, 304, 500, 501, 502, 504



PS0488

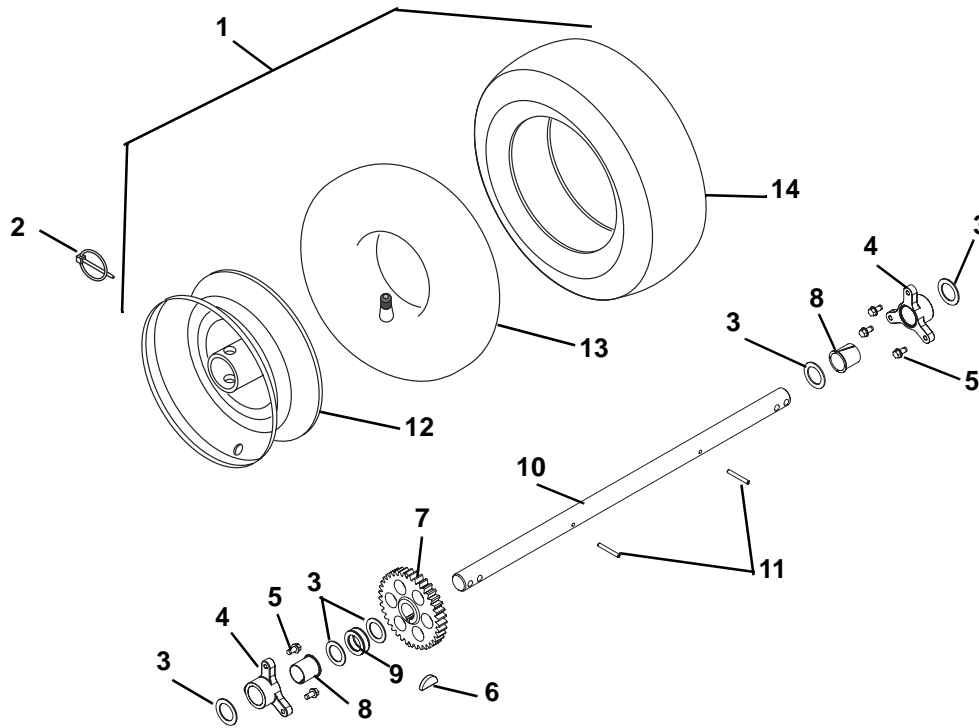
SPEED SELECTOR AND FRAME

Model 926001, 002, 003, 004, 005, 006, 101, 102, 103, 300, 301, 302, 303, 304, 500, 501, 502, 504

Item	Part No.	Qty.	Description
1	06219800	2	Bolt, Round Head Square Neck .25-20 x 1.00 Grade 5
2	06537500	2	Nut, Locking Wing .25-20
3	06714800	1	Pin, Hair #25
4	00386000	1	Rod, Shift-Upper
5	00386600	1	Rod, Shift-Lower
6	00386700	1	Pivot, Shift Rod
7	06714800	1	Pin, Hair
8	00371351	1	Arm, Shift Weldment
9	00370459	1	Main Frame
10	05500026	1	Bushing, Polyliner .50 Split
11	06118000	4	Screw, Machine .25-20 x .75 Hex Washer
12	00375159	1	Cover, Bottom
13	00188400	2	Bolt Strap
14	06813600	2	Rivet, Pop
15	05500028	1	Bushing, Polyliner .50 Snapin
16	07009000	4	Nut-Retainer .25-20 x .56
17	06944800	2	Clip, Spring
18	07412000	2	Screw, Tapping .25-20 x .50 Hex Washer Head

WHEELS AND AXLES

Model 926001, 101, 504

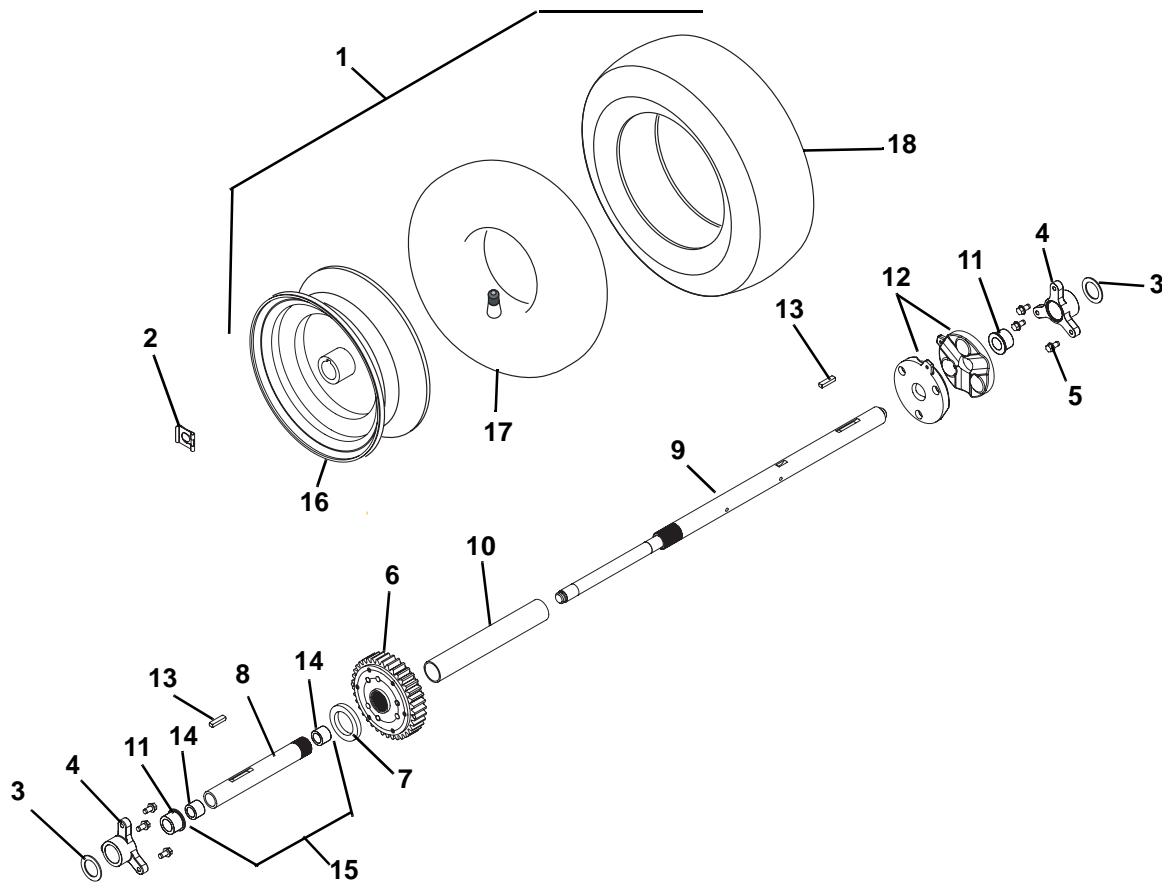


PS0803

tem	Part No.	Qty.	Description
1	07100034	1	Tire/Wheel Assembly, RH 15 x 5 - 6 Pin (Includes Items 12-14)
	07100035	1	Tire/Wheel Assembly, LH 15 x 5 - 6 Pin (Includes Items 12-14)
2	07015800	2	Pin-LOK .31 x 2.00
3	06436300	5	Washer, Flat Steel 1.010 x .505 x .062
4	00275100	2	Bushing, Rake Shaft 1"
5	07412000	6	Screw, Tapping .25-20 x .50
6	06601200	1	Woodruff Key .25 x .88 x .38
7	00371000	1	Gear, Spur
8	05500030	2	Bearing Flange Split Nyliner 1.0
9	00531500	1	Spacer, 1.005 x 1.5075 x .375
10	00391500	1	Axel, Remote
11	05803000	2	Pin-Roll .188 x 1.50
12	07100039	2	Hub, Wheel 15 x 5-6 Pin
13	07156400	2	Tube
14	07100104	1	Tire, x-TRAC 15 x 5-6

WHEELS AND AXLES

Model 926004, 005, 006, 300, 301, 500, 501, 502

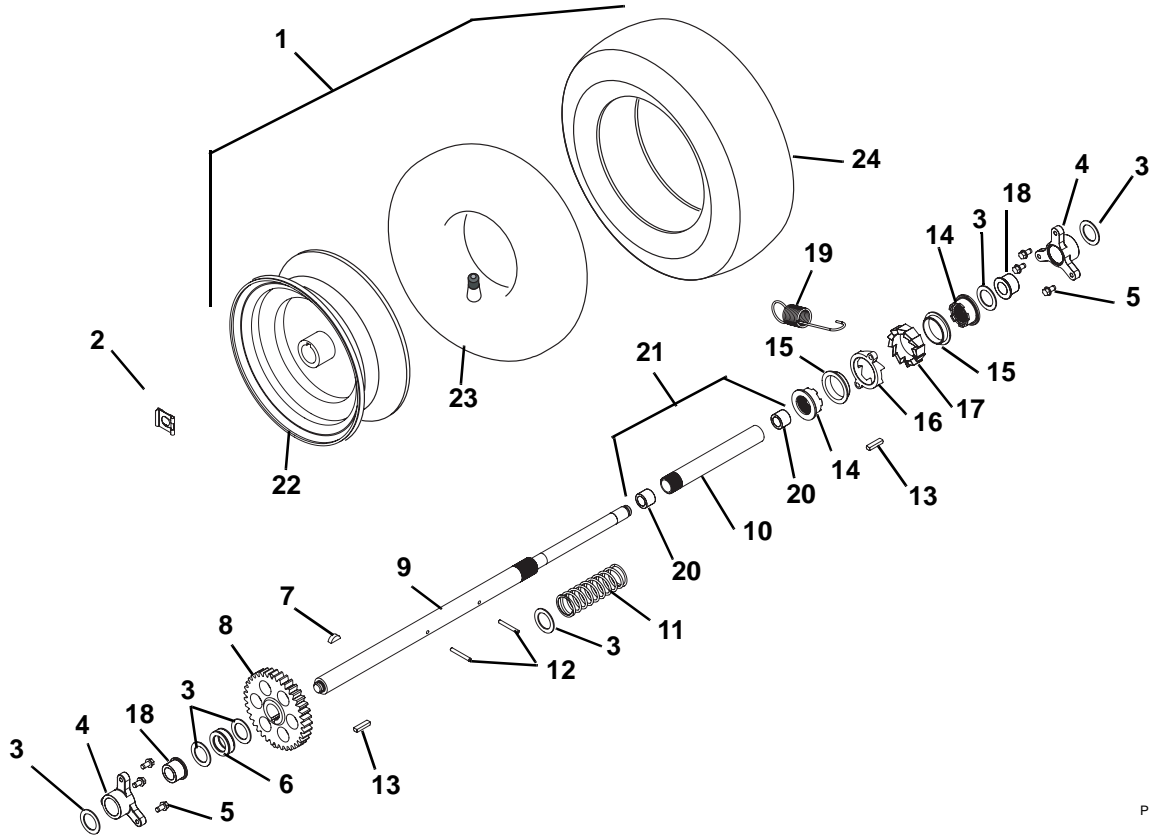


PS0802

item	Part No.	Qty.	Description
1	07100026	1	Tire/Wheel Assembly RH 16 x 4.80 - 8 Differential (Includes 16-18) (004, 005, 006, 300, 301)
	07100027	1	Tire/Wheel Assembly LH 16 x 4.80 - 8 Differential (Includes 16-18) (004, 005, 006, 300, 301)
	07100030	1	Tire/Wheel Assembly RH 16 x 6.50 - 8 Differential (Includes 16-18) (500, 501, 502)
	07100031	1	Tire/Wheel Assembly LH 16 x 6.50 - 8 Differential (Includes 16-18) (500, 501, 502)
2	05700001	2	Clip, Snap
3	06436300	2	Washer, Flat Steel 1.010 x .505 x .062
4	00275100	2	Bushing, Rake Shaft 1"
5	07412000	6	Screw, Tapping .25-20 x .50
6	52601600	1	Differential, Remote Assembly
7	06400012	1	Washer, Flat Nylon 1.38 x 2.00 x .25
8	00375900	1	Axle, Differential-Short
9	00376000	1	Axel, Differential-Long
10	00386500	1	Tube, Axle
11	05500030	2	Bushing, Flange Split Nyloner 1.0" HP
12	00382900	2	Cam, Differential
13	06600002	2	Key .25 x .188 x 1.00
14	05500023	2	Bushing, Sleeve .706 x .764 x .75
15	52601700	AR	Axle, Differential with Bushings (Includes 8 and 14)
16	07100102	2	Hub, Wheel- 16 x 4.8-8 Differential (004, 005, 006, 300, 301)
	07100103	2	Hub, Wheel- 16 x 6.5-8 Differential (500, 501, 502)
17	07103700	2	Tube 4.00 x 8 (004, 005, 006, 300, 301)
	07108700	2	Tube 16 x 6.50- 8 (500, 501, 502)
18	07100106	2	Tire, x-TRAC 16 x 4.8-8 (004, 005, 006, 300, 301)
	07100108	2	Tire, x-TRAC 16 x 6.5-8 (500, 501, 502)

WHEELS AND AXLES

Model 926002, 003, 102, 103, 302, 303, 304

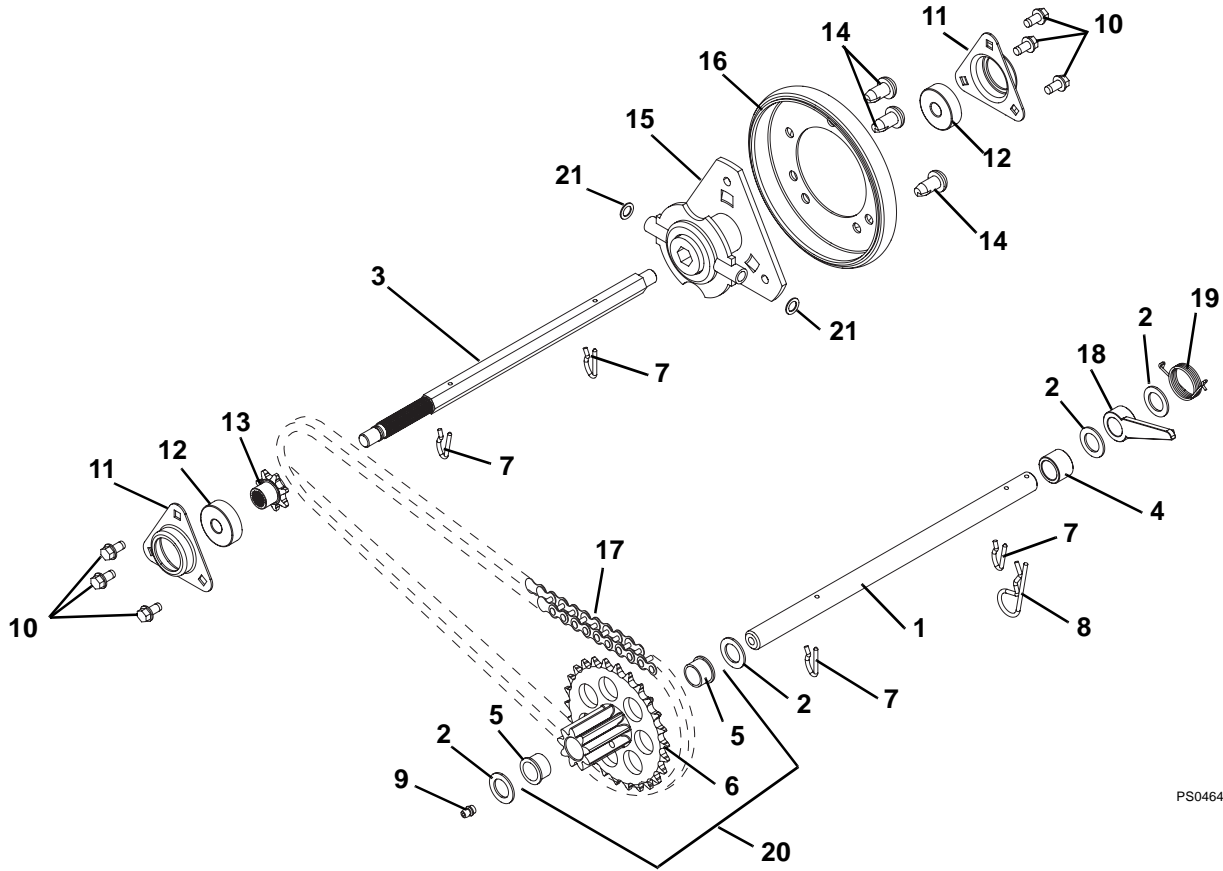


PS0791

tem	Part No.	Qty.	Description
1	07100032	1	Tire/Wheel Assembly RH 15 x 5.00 - 6 (Includes 22-24) (002, 102, 303, 304)
	07100033	1	Tire/Wheel Assembly LH 15 x 5.00 - 6 (Includes 22-24) (002, 102, 303, 304)
	07100030	1	Tire/Wheel Assembly RH 16 x 6.50 - 8 Differential (Includes 16-18) (003, 103, 302)
	07100031	1	Tire/Wheel Assembly LH 16 x 6.50 - 8 Differential (Includes 16-18) (003, 103, 302)
2	05700001	2	Clip, Snap
3	06436300	6	Washer, Flat Steel 1.010 x .505 x .062
4	00275100	2	Bushing, Rake Shaft 1"
5	07412000	6	Screw, Tapping .25-20 x .50
6	00531500	1	Spacer, 1.005 x 1.5075 x .375
7	06601200	1	Woodruff Key .25 x .88 x .38
8	00371000	1	Gear, Spur
9	00376000	1	Axle, Differential-Long
10	00375900	1	Axle, Differential-Short
11	00427700	1	Spring, Compression
12	05803000	2	Pin-Roll .188 x 1.50
13	06600002	2	Key .25 x .188 x 1.00
14	00386900	2	Clutch, Dog Sliding
15	00391100	2	Bushing, Flange
16	00387100	1	Gear, Clutch
17	00387000	1	Gear, Ratchet
18	05500030	2	Bushing, Flange Split Nylon 1.0" HP
19	08300023	1	Spring, Tension .06 x .62 x 2.94
20	05500023	2	Bushing, Sleeve .706 x .764 x .75
21	52601700	AR	Axle, Differential with Bushings (Includes 10 and 20)
22	07100101	2	Hub, Wheel 15 x 5-6 Remote (002, 102, 303, 304)
	07100103	2	Hub, Wheel- 16 x 6.5-8 Differential (003, 103, 302)
23	07156400	2	Tube (002, 102, 303, 304)
	07108700	2	Tube 16 x 6.50- 8 (003, 103, 302)
24	07100104	2	Tire, x-TRAC 15 x 5-6 (002, 102, 303, 304)
	07100108	2	Tire, x-TRAC 16 x 6.5-8 (003, 103, 302)

REDUCTION DRIVE

Model 926001, 002, 003, 004, 005, 006, 101, 102, 103, 300, 301, 302, 303, 304, 500, 501, 502, 504

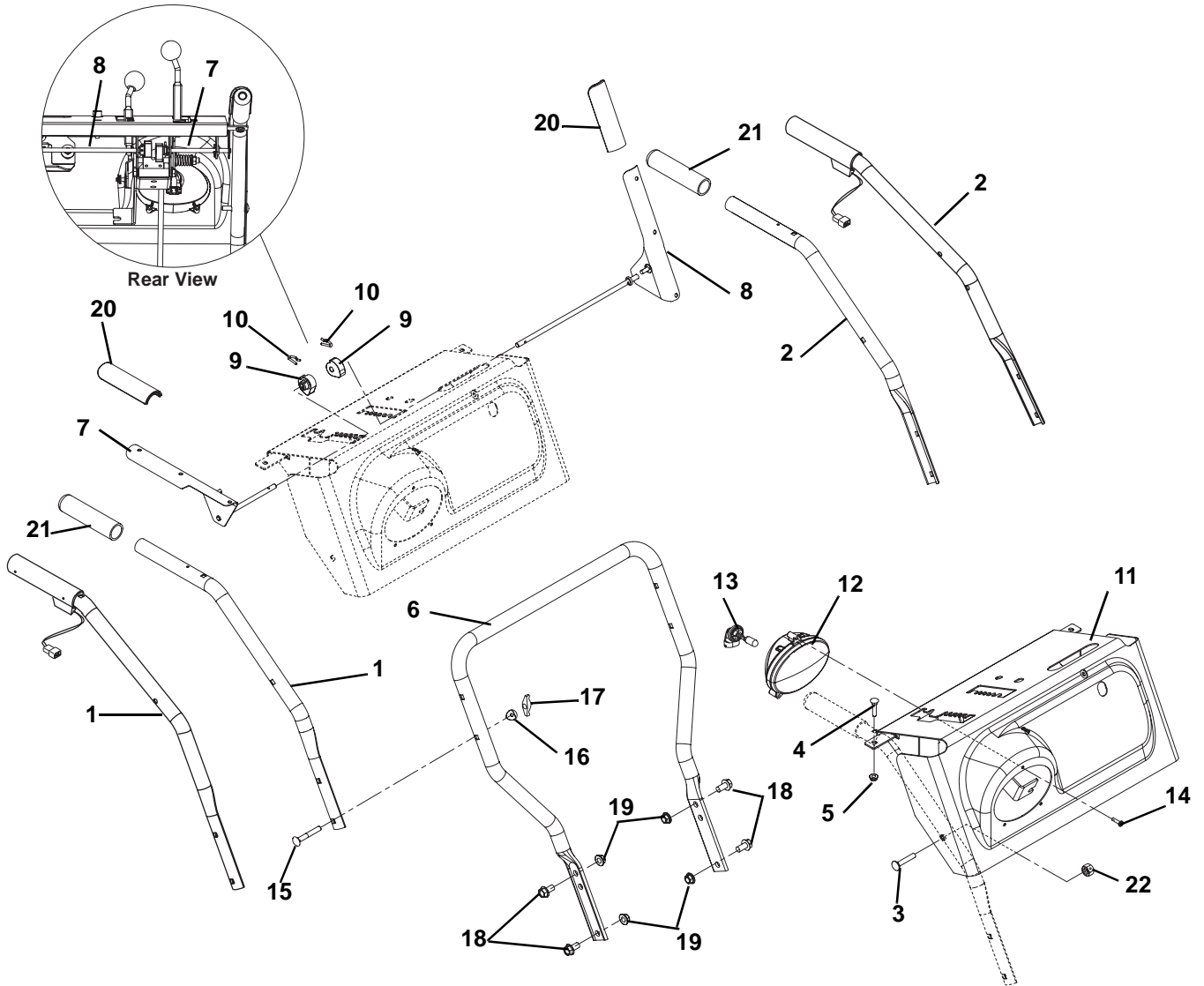


PS0464

Item	Part No.	Qty.	Description
1	00382800	1	Shaft, Pinion
2	06436100	2	Washer, Flat Steel .630 x 1.005 x .062 (001, 004, 005, 006, 101, 300, 301, 500, 501, 502, 504)
	06436100	4	Washer, Flat Steel .630 x 1.005 x .062 (002, 003, 102, 103, 302, 303, 304)
3	00372900	1	Shaft, Hex with Spline
4	05500029	1	Spacer .635 x .880 x .611 (001, 004, 005, 006, 101, 300, 301, 500, 501, 502, 504)
5	05500022	2	Bushing, Flange .625 x .750 x .500 x .875
6	00190600	1	Pinion and Sprocket
7	06714500	4	Pin, Spring Clip
8	06712900	1	Pin, Hair #7 Clip .094 x 2.31
9	07061300	1	Zerk, Fitting .25 x .125 Drive-In
10	07412000	6	Screw, Tapping Hex Washer Head .25-20 x .50
11	00383000	2	Flange, Bearing
12	05435200	2	Bearing, Ball .437 x 1.375 x .437
13	00385800	1	Sprocket, Pinion 7T with Spline
14	07400009	3	Screw, Tapping .31-18 x .50
15	00383100	1	Carrier, Drive Disk
16	00170800	1	Friction, Disk
17	02466200	1	Chain, #41, 32 Pitches
18	00391200	1	Lever, Lock Arm (002, 003, 102, 103, 302, 303, 304)
19	00391300	1	Spring, Torsion (002, 003, 102, 103, 302, 303, 304)
20	52601500	1	Pinion and Sprocket with Bushings
21	06439200	2	Washer, Flat-Steel .505 x 1.00 x .062

HANDLEBARS, LEVER CONTROLS, PANEL AND DASH

Model 926001, 002, 003, 004, 005, 006, 101, 102, 103, 300, 301, 302, 303, 304, 500, 501, 502, 504



PS0815

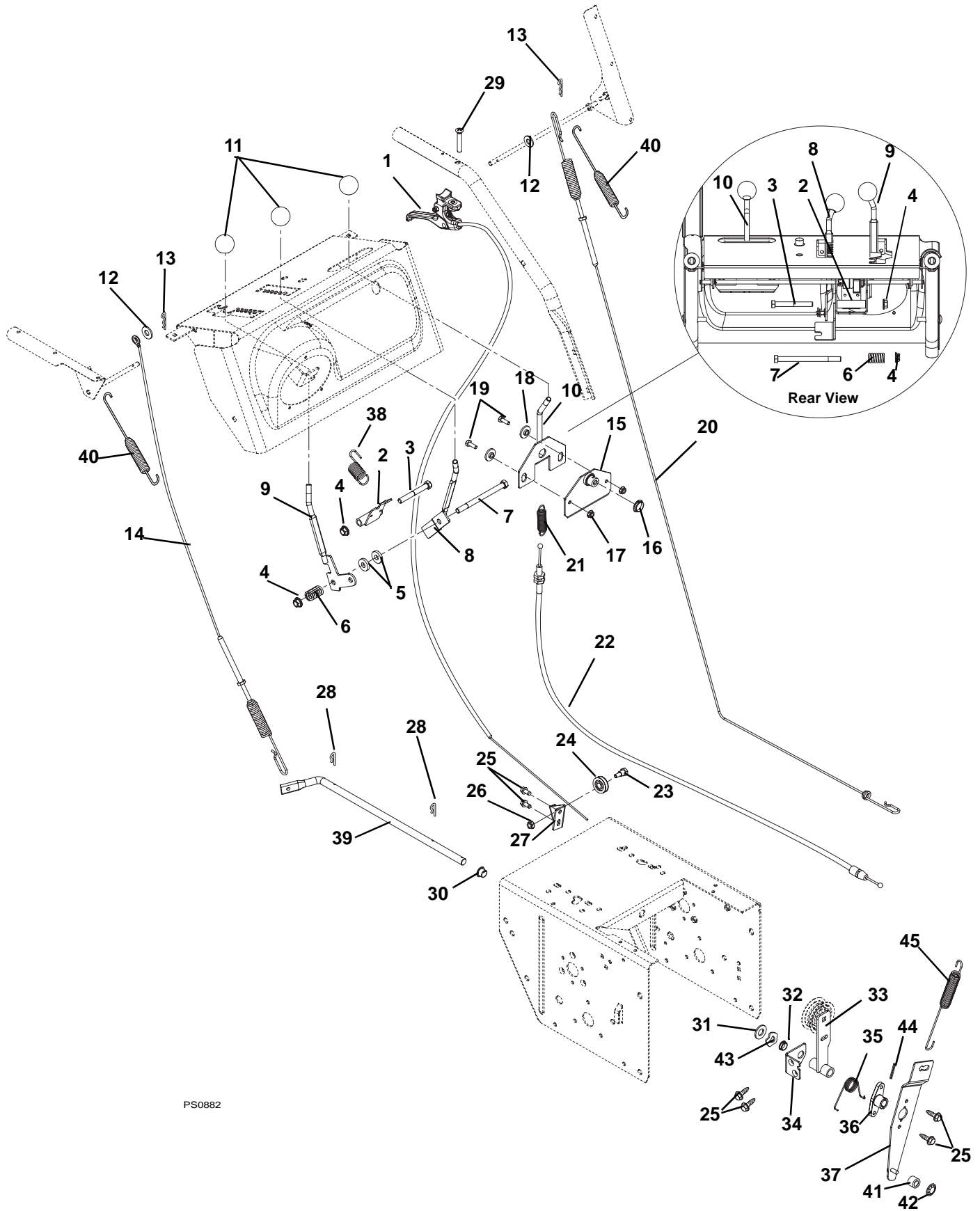
HANDLEBARS, LEVER CONTROLS, PANEL AND DASH

Model 926001, 002, 003, 004, 005, 006, 101, 102, 103, 300, 301, 302, 303, 304, 500, 501, 502, 504

Item	Part No.	Qty.	Description
1	00428300	1	Handlebar, Upper Right Hand (001, 101, 504)
	52601900	1	Handlebar, Upper Right Hand with Handwarmer (002, 003, 004, 005, 006, 102, 103, 300, 301, 302, 303, 304, 500, 501, 502)
2	00428400	1	Handlebar, Upper Left Hand (001, 101, 504)
	52602000	1	Handlebar, Upper Left Hand with Handwarmer (002, 003, 004, 005, 006, 102, 103, 300, 301, 302, 303, 304, 500, 501, 502)
3	06220200	2	Bolt, Round Head Square Neck .31-18 x 1.75 Grade 5
4	06220100	2	Bolt, Round Head Square Neck .25-20 x 1.25
5	06529700	2	Nut, Locking Center .25-20
6	00373251	1	Handlebar, Lower
7	00393000	1	Lever, Right Hand-Attachment
8	00393100	1	Lever, Left Hand-Traction
9	02492100	2	Cam, Interlock
10	06714500	2	Pin, Spring Clip
11	52601100	AR	Panel with Decal (001, 101, 504)
	52601200	AR	Panel with Decal (002, 003, 004, 005, 006, 102, 103, 300, 301, 302, 303, 304)
	52601300	AR	Panel with Decal (500, 501)
	52601400	AR	Panel with Decal (502)
12	00487500	1	Headlight Assembly, Halogen 862 37W
13	00487501	1	Bulb, Light, Halogen 37W
14	07416700	3	Screw, Tapping 10-16 x .75 Hi-Lo
15	06221600	4	Bolt, Round Head Square Neck .31-18 x 2.25
16	07500005	4	Spacer, Handlebar
17	07531700	4	Knob, Wing .312-18
18	07028500	4	Bolt, Screw Hex Flanged Whiz Lock Head .38-16 x .75
19	06542000	4	Nut, Locking-Top-Flange .38-16
20	00384500	2	Grip, Clutch Lever
21	07518700	2	Handle Grip (001, 101, 504)
22	06529800	4	Nut, Locking-Center .31-18

CABLES AND CONTROLS

Model 926001, 002, 003, 004, 005, 006, 101, 102, 103, 300, 301, 302, 303, 304, 500, 501, 502, 504



PS0882

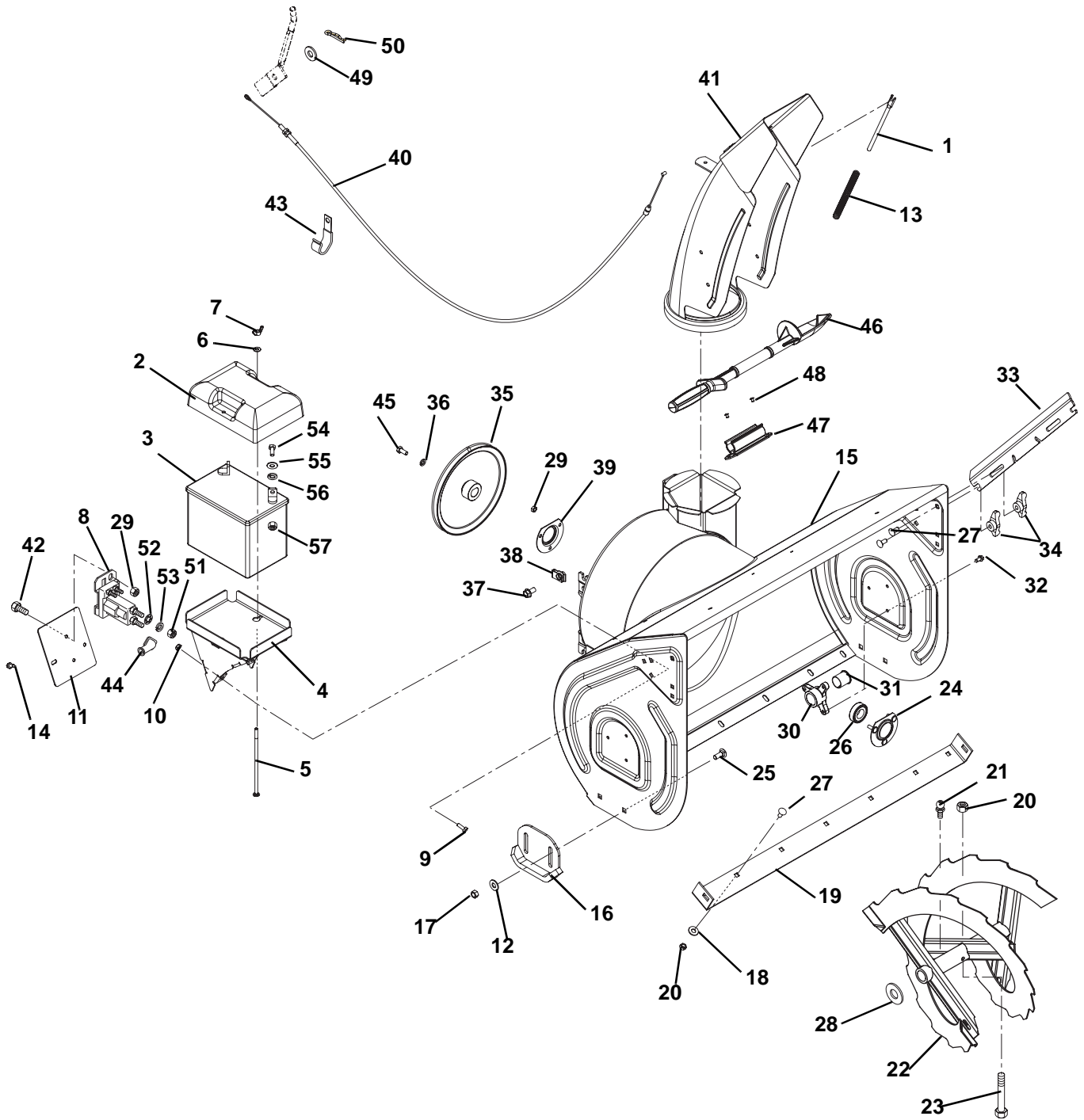
CABLES AND CONTROLS

Model 926001, 002, 003, 004, 005, 006, 101, 102, 103, 300, 301, 302, 303, 304, 500, 501, 502, 504

Item	Part No.	Qty.	Description
1	06900020	1	Cable, Trigger Differential (004, 005, 006, 300, 301, 500, 501, 502)
	06900021	1	Cable, Trigger Remote Wheel (002, 003, 102, 103, 302, 303, 304)
2	00356900	1	Arm, Interlock
3	05957800	1	Bolt, Hex .38-16 x 3.00 Grade 5
4	06542000	2	Nut, Locking Top Flange .38-16
5	06444000	2	Washer, Flat Steel .406 x 1.00 x .188
6	08335700	1	Spring, Compression .125 x .781 x 1.250
7	05957700	1	Bolt, Hex .38-16 x 5.00 Grade 5
8	00379100	1	Control, Deflector
9	00396900	1	Lever, Shift
10	00180300	1	Chute Control
11	07533500	3	Knob, Ball Black 1-.41, .38-16
12	06437300	2	Washer, Flat Steel .28 x .62 x .065
13	06701900	2	Pin, Hair Internal .06 x .18 x .77
14	06900012	1	Cable, Attachment
15	00184800	1	Plate, Control Mount
16	05500027	1	Bushing, Polyliner .75 Snap-in
17	06543500	2	Nut, Locking Top Flange .25-20
18	05500004	2	Bushing, Flange .265 x .448 x .243 x 1.00
19	05946800	2	Bolt, Hex .25-20 x .75 Grade 5
20	06900011	1	Cable, Traction
21	08310900	1	Spring, Tension .048 x .44 x 1.75
22	06900019	1	Cable, Chute Lock
23	07000021	1	Bolt, Shoulder .375 x .375 x .25-20
24	07300012	1	Pulley, Cable
25	07412000	6	Screw, Tap .25-20 x .50
26	06543500	1	Nut, Locking Top Flange .25-20
27	00373051	1	Bracket, Cable Pulley
28	06944800	2	Clip, Spring
29	06100007	1	Screw, Machine .25-20 x 1.50 Oval Head (002, 003, 004, 005, 006, 102, 103, 300, 301, 302, 303, 304, 500, 501)
30	05500026	1	Bushing, Polyliner .50 Split
31	06441900	1	Washer, Flat Steel .531 x 1.06 x .095
32	05500028	1	Bushing, Polyliner .50 Snap-in
33	00371651	1	Arm, Idler Traction
34	00372851	1	Bracket, Support
35	08300015	1	Spring, Torsion .067 x .88
36	00384200	1	Hub, Brake Arm
37	00372551	1	Arm, Idler Attachment
38	08337000	1	Spring, Tension .047 x .438 x 1.45
39	00384351	1	Arm, Attachment
40	08300017	2	Spring, Tension .056 x .60 x 4.40
41	05500037	1	Bushing, Sleeve .265 x .625 x .375
42	05717600	1	Ring, Retaining External .250 x .010
43	00325400	1	Wave Washer
44	05800900	1	Pin, Roll .125 x 1.00
45	08300022	1	Spring, Tension .06 x .482 x 5.35

CHUTE, AUGER AND BATTERY

Model 926001, 002, 003, 004, 005, 006, 101, 102, 103, 300, 301, 302, 303, 304, 500, 501, 504



PS1092

CHUTE, AUGER AND BATTERY

Model 926001, 002, 003, 004, 005, 006, 101, 102, 103, 300, 301, 302, 303, 304, 500, 501, 504

Item	Part No.	Qty.	Description
1	00389000	1	Rod, Deflector Cap
2	04912900	1	Cover, Battery (500, 501)
3		A/R	Battery Recommend 240 Minimum CCA at 0° F. Size U1R or U1L (500, 501)
4	02488659	1	Battery Tray (500, 501)
5	06220400	2	Bolt, Round Head Square Neck .25-20 x 7.00 (500, 501)
6	06437300	6	Washer, Flat Steel .28 x .62 x .065 (500, 501)
7	06537500	2	Wing Nut, Locking .25-20 (500, 501)
8	03679000	1	Solenoid (500, 501)
9	05946800	4	Bolt, Hex .25-20 x .75 Grade 5 (500, 501)
10	06530100	4	Nut, Lock Flange .25-20 (500, 501)
11	02484459	1	Cover, Solenoid (500, 501)
12	06435900	4	Washer, Flat Steel .44 x 1.00 x .083
13	08300013	1	Spring, Compression
14	07412000	2	Screw, Tapping .25-20 x .50 Hex Washer Head (500, 501)
15	52600200	1	Blower Housing with Decal 26" (001, 004, 005, 101, 300, 301, 504)
	52600300	1	Blower Housing with Decal 28" (002, 006, 102, 303, 304)
	52600400	1	Blower Housing with Decal 32" (003, 103, 302)
	52600500	1	Blower Housing with Decal 32" (500)
	52600600	1	Blower Housing with Decal 36" (501)
16	02483059	2	Runner, Skid Shoe 1/2" Flange (001, 004, 005, 101, 300, 301, 504)
	02483859	2	Runner, Double Flange (001, 002, 003, 101, 102, 103, 302, 303, 304, 504)
17	06529600	4	Nut, Locking .38-16
18	06435900	6	Washer, Flat Steel .438 x 1.00 x .083 (004, 005, 006, 300, 301, 500, 501)
	06435700	9	Washer, Flat Steel .38 x .88 x .083 (003, 103, 302, 500, 501)
19	00268659	1	Scraper Blade 26" (001, 004, 005, 101, 300, 301, 504)
	00175059	1	Scraper Blade 28" (002, 006, 102, 303, 304)
	00174959	1	Scraper Blade 32" (003, 103, 302, 500) (011)
	00268859	1	Scraper Blade 36" (501)
20	06529800	5	Nut, Locking Center .31-18 (001, 002, 004, 005, 006, 101, 102, 300, 301, 304, 504)
	06529800	7	Nut, Locking Center .31-18 (003, 103, 302, 500, 501)
21	07012600	4	Fitting, Lube .25-28 x .256
22	52421100	1	Rake, Left Hand - 26" (15.75" O.D.) (Includes Item 20) (001, 004, 005, 101, 300, 301, 504)
	52421200	1	Rake, Right Hand - 26" (15.75" O.D.) (Includes Item 20) (001, 004, 005, 101, 300, 301, 504)
	52421300	1	Rake, Left Hand - 28" (15.75" O.D.) (Includes Item 20) (002, 006, 102, 303, 304)
	52421400	1	Rake, Right Hand - 28" (15.75" O.D.) (Includes Item 20) (002, 006, 102, 303, 304)
	52421500	1	Rake, Left Hand - 32" (15.75" O.D.) (Includes Item 20) (003, 103, 302, 500)
	52421600	1	Rake, Right Hand - 32" (15.75" O.D.) (Includes Item 20) (003, 103, 302, 500)
	52421700	1	Rake, Left Hand - 36" (15.75" O.D.) (Includes Item 20) (501)
	52421800	1	Rake, Right Hand - 36" (15.75" O.D.) (Includes Item 20) (501)
23	51001500	2	Shear Bolt Service Assembly (Includes Item 20)
24	00301700	1	Bearing Flange
25	06212000	4	Bolt, Round Head Square Neck .38-16 x 1.00
26	05409300	1	Bearing, Ball .880 x 1.75 x .50
27	06220800	9	Bolt, Round Head Square Neck .31-18 x .75 (001, 002, 004, 005, 006, 101, 102, 300, 301, 304, 504)(007, 008, 009, 010, 012)
	06220800	11	Bolt, Round Head Square Neck .31-18 x .75 (003, 103, 302, 500, 501)
28	06436300	2	Washer, Flat Steel 1.01 x 1.51 x .062
29	06529700	3	Nut, Locking Center .25-20
30	00275100	2	Bushing, Rake Shaft 1.00
31	05500011	2	Bushing, Flange 1.00
32	07412000	6	Screw, Tapping .25-20 x .50
33	00262159	2	Cutter, Drift
34	07531700	4	Knob-Wing .312-18
35	00258500	1	Pulley, 4L W/Hub .87 X 8.5
36	06307400	1	Washer, Locking .312 x .097
37	07028500	2	Bolt, Hex Flanged Whizloc Head .38-16 x .75
38	07053300	2	Nut, Retainer .375-16 x .37
39	01014200	1	Bearing Flange
40	06900018	1	Cable, Deflector

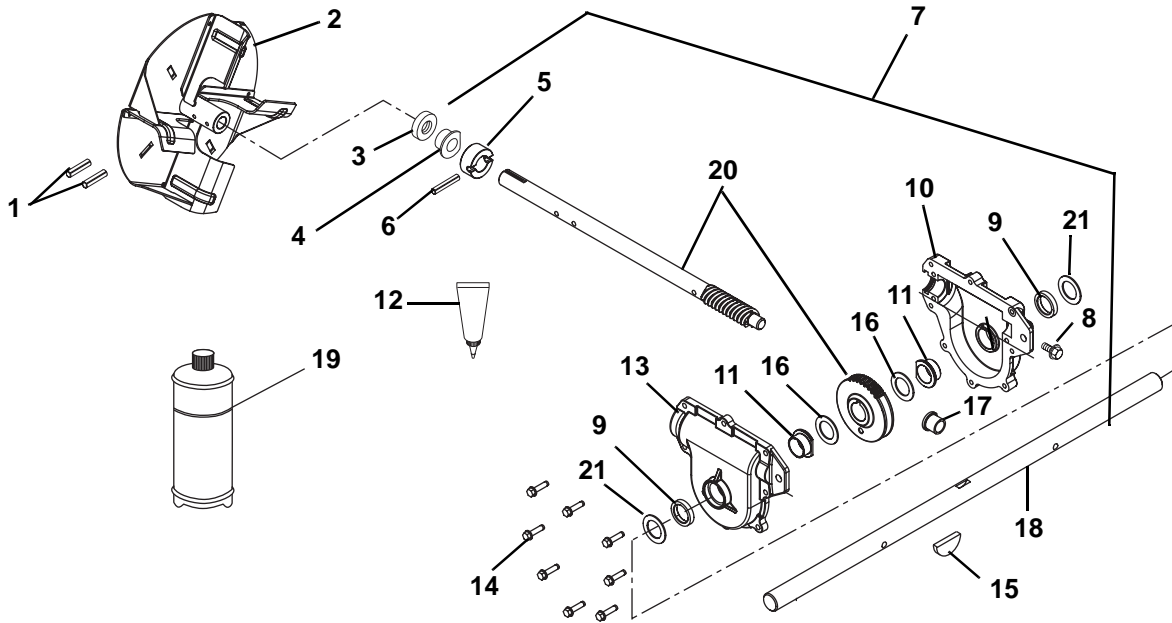
CHUTE, AUGER AND BATTERY

Model 926001, 002, 003, 004, 005, 006, 101, 102, 103, 300, 301, 302, 303, 304, 500, 501, 504

Item	Part No.	Qty.	Description
41	52602200	1	Chute, Discharge with Deflector
42	05947900	2	Bolt, Hex .25-20 x .50 Grade 5 (500, 501)
43	06909400	1	Clamp, J
44	07533200	2	Boot, Eyelet Terminal (500, 501)
45	05947300	1	Bolt, Hex .31-24 x .75 Grade 5
46	00170200	1	Snow Clean Out
47	00170300	1	Mount, Snow Clean Out
48	06813600	2	Rivet, Pop .187 x .45
49	06437300	1	Washer, Flat Steel .281 x .62 x .065
50	06701900	1	Pin, Hair Internal .06 x .18 x .77
51	06536700	2	Nut- Jam .31-24
52	06310500	2	Washer, Lock Internal .31
53	06308600	2	Washer, Locking .31 x .078 Regular
54	05946800	2	Bolt, Hex .25-20 x .75 Grade 5
55	06439500	2	Washer, Flat Steel .265 x .50 x .087
56	06308400	2	Washer, Locking .25 x .062 Regular
57	06533200	2	Nut, Hex .25-20

GEAR CASE-ALUMINUM

Model 926001, 002, 003, 101, 102, 103, 302, 303, 304, 504

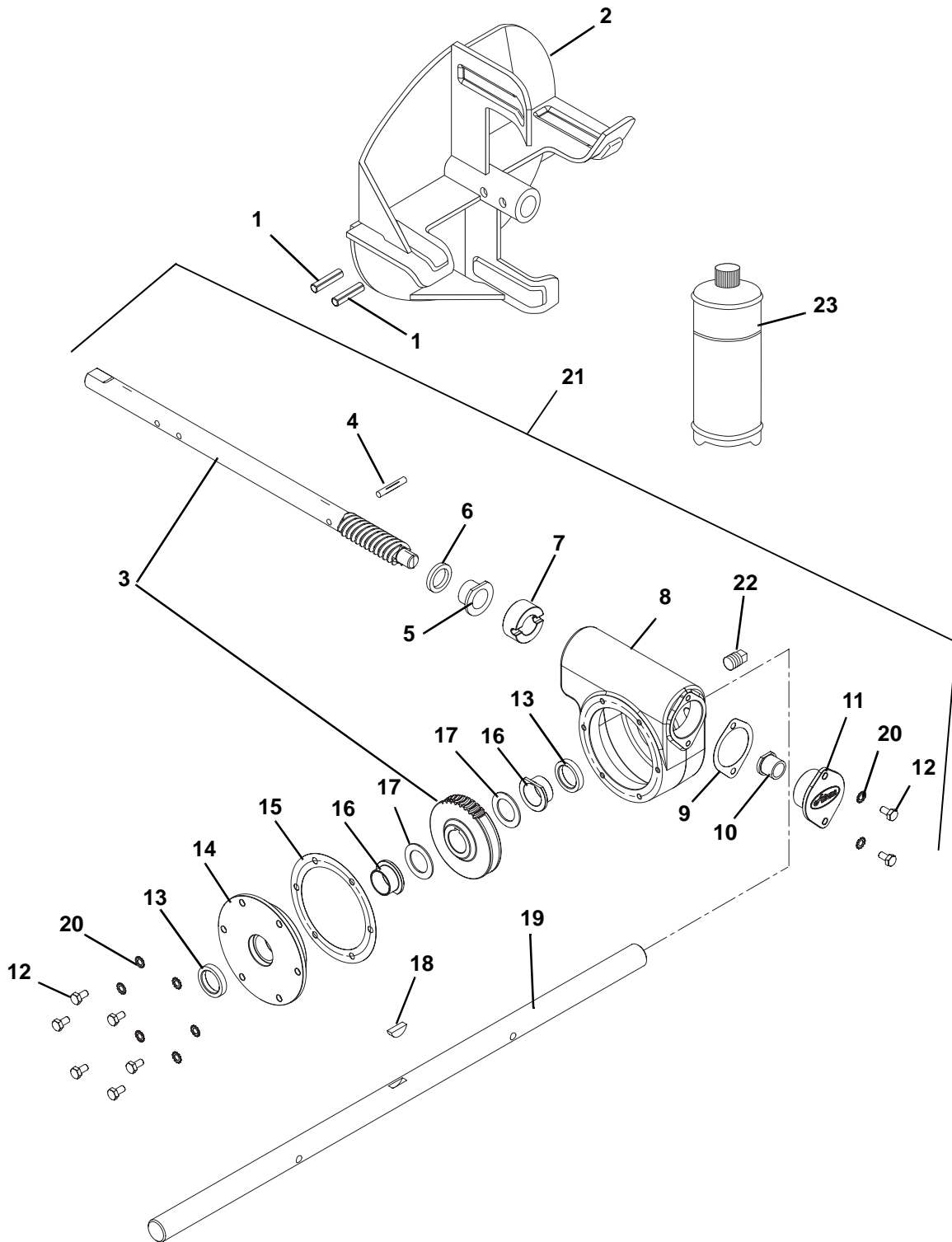


PS0283

Item	Part No.	Qty.	Description
1	05803700	2	Pin, Roll .25 x 1.75
2	00258251	1	Impeller 14" O.D.
3	05600001	1	Seal, Oil .875 x 1.375 x .25
4	05500008	1	Bushing, Flange .876 x 1.50 x .75
5	00255100	1	Thrust Collar .875
6	05806800	1	Pin, Groove .25 x 1.50
7	53213600	AR	Case, Gear Aluminum 26" (Contains Items 3-6, 8-19) (001, 101, 504)
	52419400	AR	Case, Gear Aluminum 28" (Contains Items 3-6, 8-19) (002, 102, 303, 304)
	52419500	AR	Case, Gear Aluminum 32" (Contains Items 3-6, 8-19) (003, 103, 302)
8	07417000	1	Screw, Tapping .38-16 x .75
9	05618800	2	Seal 1.00 x 1.38
10	00254100	1	Gearcase, Left Hand
11	05520500	2	Bushing, Flanged 1.003 x 1.50 x .625
12	00925700	1	Locktite Gasket 518 850 cc Cartridge
13	00254000	1	Gearcase, Right Hand
14	07412400	8	Screw, Tapping .25-20 x 1.00
15	06600800	1	Key, Woodruff .25 x .875 x .375
16	06416600	2	Washer, Flat Steel 1.01 x 1.54 x .062
17	05500007	1	Bushing, Flange .629 x 1.00 x .75
18	00257500	1	Rake Shaft 26"(001, 101, 504)
	00276100	1	Rake Shaft 32" (002, 102, 303, 304)
	00275000	1	Rake Shaft 28" (003, 103, 302)
19	00008000	1	Ariens 16 Oz. Bottle of L2 Lube (9 oz. capacity)
20	52419600	1	Worm Shaft and Gear
21	06436300	2	Washer, Flat Steel 1.010 x 1.505 x .062

GEAR CASE-CAST IRON

Model 926004, 005, 006, 300, 301, 500, 501



PS0472

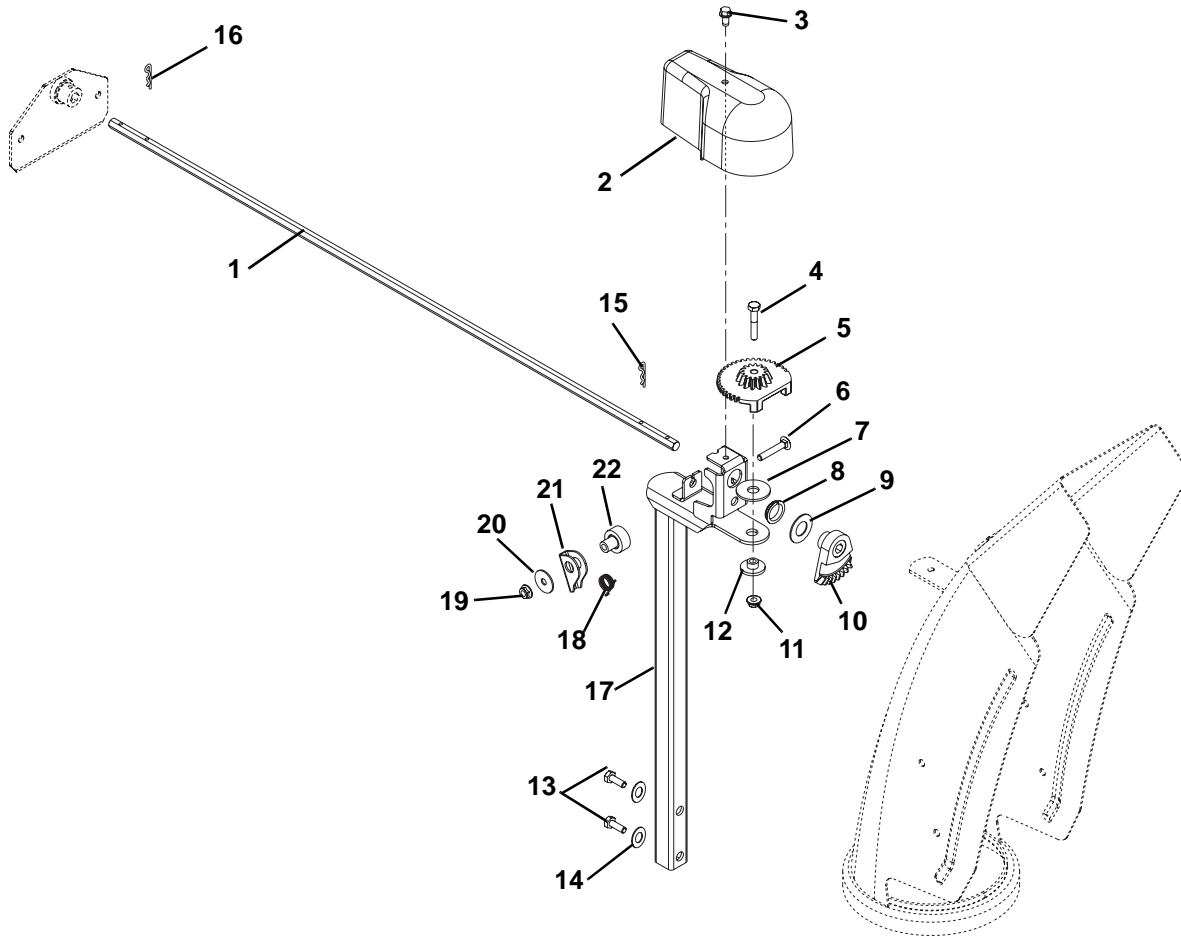
GEAR CASE-CAST IRON

Model 926004, 005, 006, 300, 301, 500, 501

Item	Part No.	Qty.	Description
1	05803700	2	Pin, Roll .25 x 1.75
2	00258251	1	Impeller-14" (004, 005, 006, 300, 301, 500)
	00258451	1	Impeller-14" (501)
3	52419600	1	Assembly, Worm Shaft and Gear-Aluminum
4	05806800	1	Pin, Groove .250 x 1.50
5	05500008	1	Bushing, Flange .876 x 1.50 x .750
6	05600002	1	Seal .875 x 1.25 x .188
7	00255100	1	Thrust Collar, .875 ID
8	00388200	1	Gearcase, Cast Iron Machined
9	00425200	1	Gasket, Front Cast Iron
10	05500007	1	Bushing-Flange .629 x 1.000 x .750
11	00388400	1	Cover, Front-CI Gear Case
12	05947900	8	Bolt, Hex .25-20 x .50
13	05618800	2	Seal, Oil 1.000 x 1.375 x .250
14	00393500	1	Side, Front-CI Gear Case
15	00425100	1	Gasket, Side Cast Iron
16	05520500	2	Bushing, Flange 1.003 x 1.5 x .625
17	06416600	2	Washer-Hard-Thrust 1.007 x 1.542 x .062
18	06600800	1	Key, Woodruff .25 x .88 x .38
19	00257500	1	Shaft, Rake 26" (004, 005, 300, 301)
	00275000	1	Shaft, Rake 28" (006)
	00276100	1	Shaft, Rake 32" (500)
	00267500	1	Shaft, Rake 36" (501)
20	06306800	8	Washer, Lock External .26 x .50 x .026
21	52600700	1	Gear Case, Cast Iron 26" (004, 005, 300, 301)
	52600800	1	Gear Case, Cast Iron 28" (006)
	52600900	1	Gear Case, Cast Iron 32" (500)
	52601000	1	Gear Case, Cast Iron 36" (501)
22	00150900	1	Pipe Plug, 1/4 NPT
23	00008000	1	Ariens 16 oz. Bottle of L2 Lube (9 oz. capacity)

DISCHARGE CHUTE

Model 926001, 002, 003, 004, 005, 006, 101, 102, 103, 300, 301, 302, 303, 304, 500, 501, 504

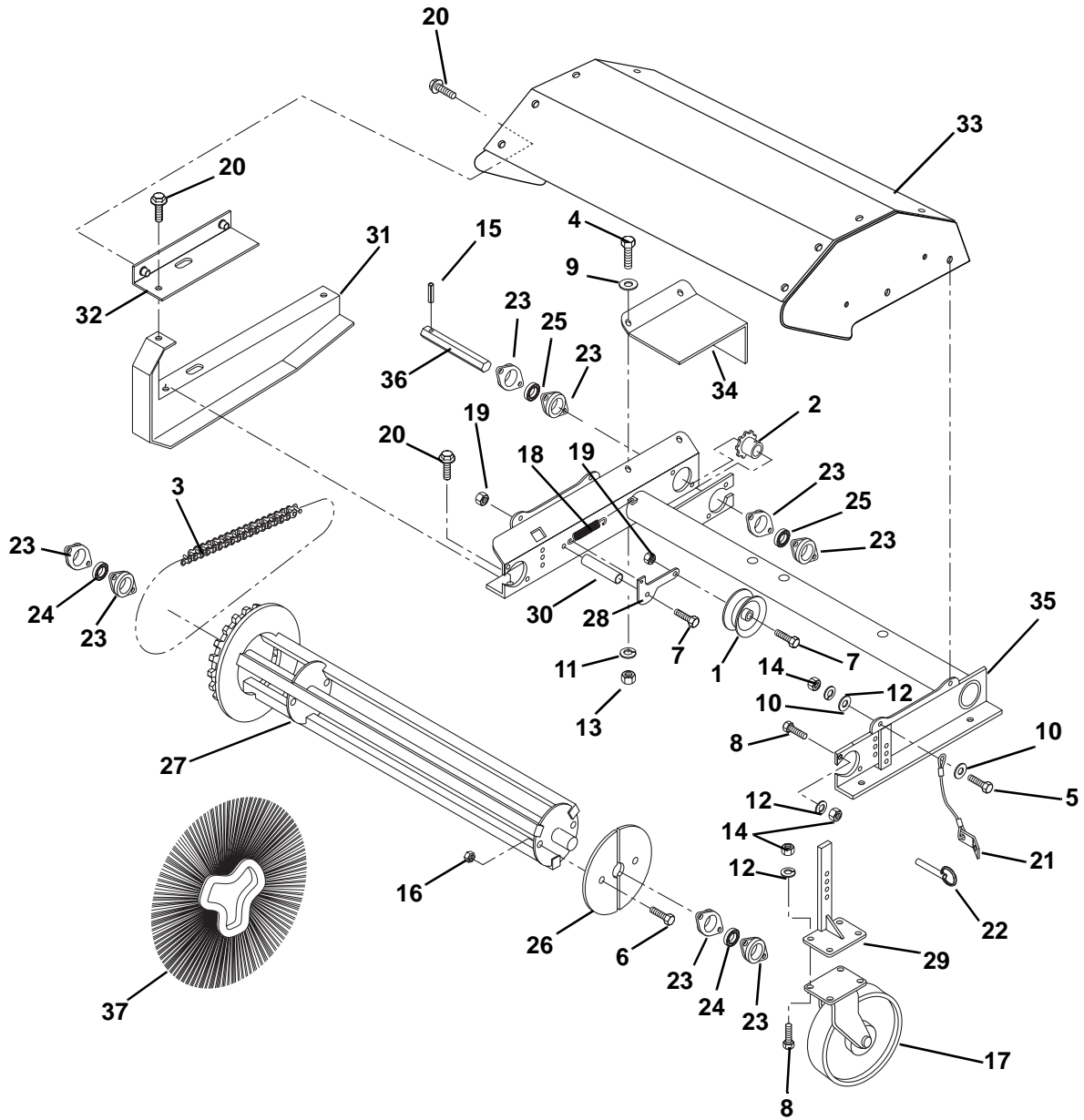


PS1103

Item	Part No.	Qty.	Description
1	00389200	1	Rod, Chute Rotation - Hex
2	00261700	1	Cover, Chute Gear
3	07412000	1	Screw, Tapping .25-20 x .50 Hex Washer Head
4	05952500	1	Bolt, Hex .25-20 x 1.25 Grade 5
5	00184200	1	Gear, Chute - Locking
6	06222300	1	Bolt, Round Head Square Neck .35-20 x 1.50
7	06400014	1	Washer, Flat Washer .47 x 1.38 x .09
8	05500027	1	Bushing, Polyliner .75 Snap-in
9	06441400	2	Washer, Flat Steel .754 x 1.125 x .062
10	00184300	1	Gear, Chute
11	06543500	1	Nut, Locking Top Flange .25-20
12	05500005	1	Bushing, Flange .265 x .448 x .373 x 1.00
13	05958500	2	Bolt, Hex .38-16 x 1.75 Grade 5
14	06308800	2	Washer, Locking .38 x .094
15	06944800	1	Clip, Spring
16	06712900	1	Hairpin, # 7 Clip .094 x 2.31
17	00388551	1	Pedestal, Chute Support
18	08300014	1	Spring, Torsion
19	06543500	1	Nut, Locking Top Flange .25-20
20	06426600	1	Washer, Flat Steel .281 x 1.00 x .063
21	00180900	1	Arm, Locking
22	05500024	1	Bushing, Lock Arm

BRUSH HEAD

Model 926502



PS0593

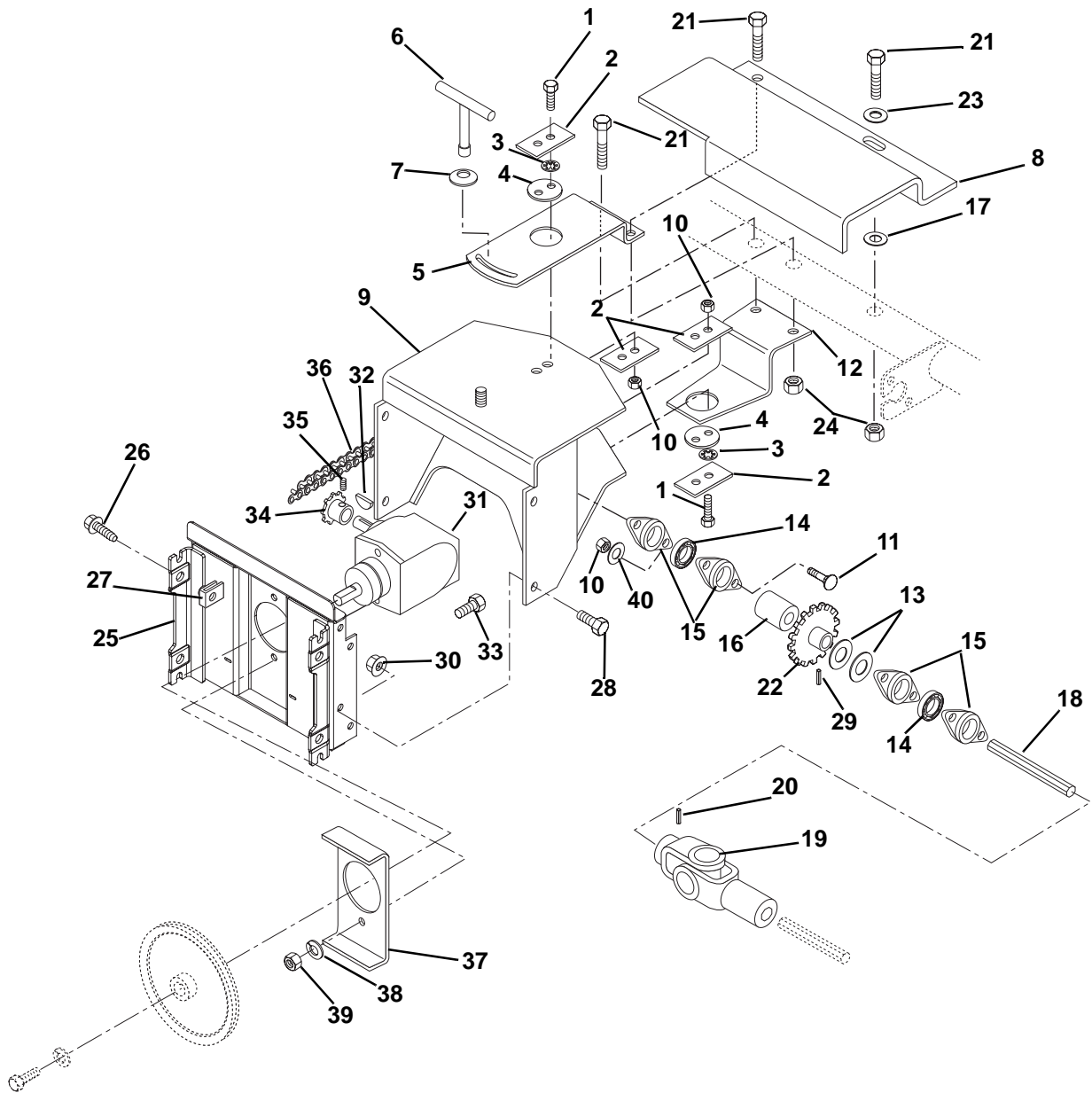
BRUSH HEAD

Model 926502

Item	Part No.	Qty.	Description
1	01061300	1	Chain Tightener
2	01060900	1	Sprocket
3	02468300	1	Chain, Assembly #40 x 106
4	05946800	2	Bolt, Hex .25-20 x .75 Grade 5
5	05946900	4	Bolt, Hex .31-18 x 1.00 Grade 5
6	05963700	2	Bolt, Hex .31-18 x 2.25 Grade 5
7	05957900	2	Bolt, Hex .38-16 x 1.50 Grade 5
8	05947000	16	Bolt, Hex .31-18 x .75 Grade 5
9	06437300	2	Washer, Flat Steel .28 x .62 x .065
10	06435800	8	Washer, Flat Steel .31 x .73 x .065
11	06308400	2	Washer, Lock .25 x .062 Regular
12	06308600	20	Washer, Lock .31 x .078 Regular
13	06533200	2	Nut, Hex .25-20
14	06529200	20	Nut, Hex .31-18
15	02468400	1	Pin, Spring Lok .19 x 1.25
16	02468500	2	Nut, Lok Stamped .31-18
17	07109400	2	Wheel, 5 inch Diameter
18	02468600	1	Spring, Tension .50 x 3.00
19	06529600	2	Nut, Locking Center .38-16
20	02468700	5	Screw, Gear 10.9 M6 x 1-20
21	02468800	2	Lanyard .06 Cable 1.25 x 6
22	00547800	2	Pin, Hitch .38 x 2
23	02411300	8	Flange, Spherical 2 inch
24	05423400	2	Bearing 1.00 Bore, Spherical
25	05409700	2	Bearing, Ball .84 Hex x 52 MM x 1.07
26	01062900	1	Retainer Plate
27	02469000	1	Weldment, Core
28	02469100	1	Arm, Idler
29	02469200	2	Weldment, Caster Leg
30	02469300	1	Bushing .62 x 12 Gauge x .75
31	02469400	1	Shield, Chain
32	02469500	1	Shield Chain Top
33	02469600	1	Weldment, Faceted Hood
34	02469700	1	Shield, Input
35	02469800	1	Weldment, Broom Frame
36	02469900	1	Shaft, Hex 20.5 with Hole
37	02470000	1	Set, 24 Section

BRUSH DRIVE UNIT

Model 926502



PS1111

Item	Part No.	Qty.	Description
1	05947500	5	Bolt, Hex .31-18 x 1.25 Grade 5
2	02404800	4	Retainer
3	06307200	4	Washer, Locking Internal .313 x .030
4	02404900	2	Pivot, Center
5	02471751	1	Plate, Top Mount
6	02470900	1	T-Lock Handle
7	06445700	1	Washer, Bellville .63 x 1.625 x .14

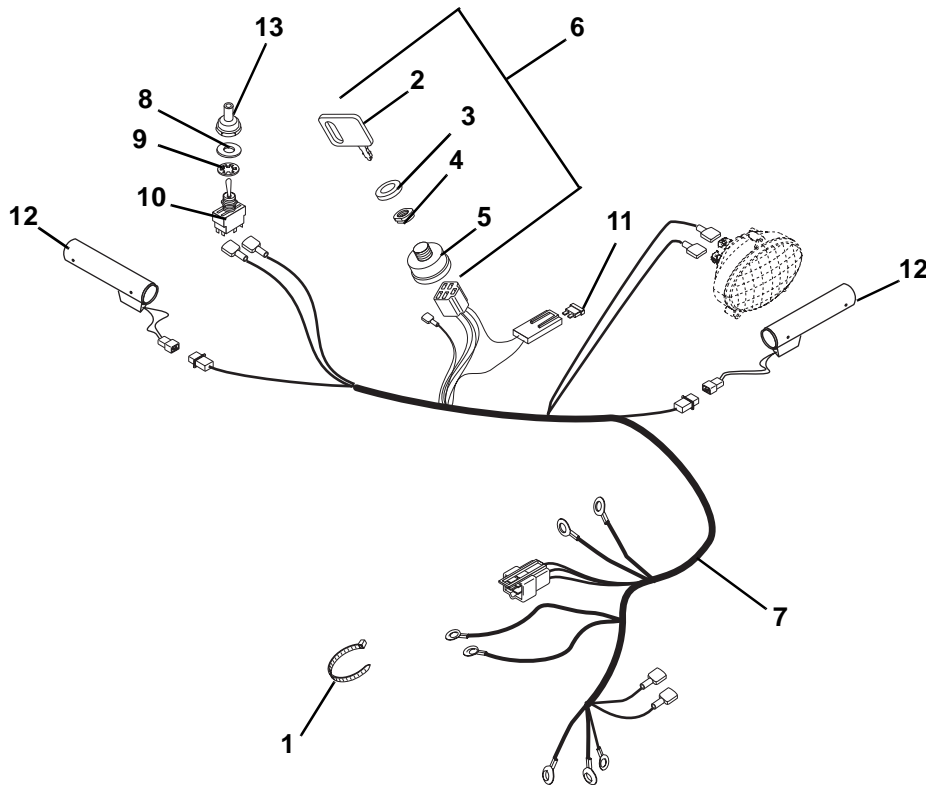
BRUSH DRIVE UNIT

Model 926502

Item	Part No.	Qty.	Description
8	02470151	1	Guard, Shaft
9	02405051	1	Frame, Adapter
10	06529800	4	Nut, Locking Top .31-18
11	06215700	4	Bolt, Round Head Square Neck .31-18 x .75 Grade 5
12	02471851	1	Plate, Bottom Mount
13	06418500	2	Washer, Flat Steel 1.015 x 1.500 x .125
14	05409700	2	Bearing, Ball
15	02429600	4	Flange, Bearing
16	02447600	1	Spacer 1.006 x 1.307 x .500
17	06436800	1	Washer, Flat Steel .390 x .88 x .18
18	02429100	1	Shaft
19	02495500	1	Universal Joint
20	05803000	1	Pin, Roll .188 x 1.50
21	05961100	3	Bolt, Hex .38-16 x 3.25 Grade 5
22	01062000	1	Sprocket
23	06436200	1	Washer, Flat Steel .406 x .812 x .065
24	06529600	3	Nut, Locking Center .38-16
25	00430851	1	Plate, Mounting Broom
26	07028500	2	Bolt, Hex Flanged Whizloc Head .38-16 x .75
27	07002600	2	Nut, Retainer .38-16
28	05959400	4	Bolt, Hex .38-16 x .75 Grade 5
29	05805600	1	Pin, Roll .188 x 1.75
30	06529600	4	Nut, Locking Center .38-16
31	02499300	1	Gear Box Assembly
32	06600300	1	Key, Woodruff .188 x .75 x .313 SAE 9
33	05958000	2	Bolt, Hex .38-16 x 1.25 Grade 5
34	02429800	1	Sprocket
35	06001100	2	Screw, Set .25-20 x .25 Socket Head Cup Point
36	02477700	1	Chain
37	02429551	1	Plate, Stiffener
38	06308800	2	Washer, Lock .38 x .094
39	06529400	2	Nut, Hex .38-16
40	06435700	4	Washer, Flat Steel .38 x .875 x .083

ELECTRICAL

Model 926002, 003, 004, 005, 006, 102, 103, 300, 301, 302, 303, 304, 500, 501, 502



PS0891

item	Part No.	Qty.	Description
1	07517300	AR	Cable Tie
2	02460700	1	Key with Cap (500, 501)
3	07517700	1	Cap, Ignition Switch (500, 501)
4	06517300	1	Nut, Panel .63-32 (500, 501)
5	02739600	1	Ignition Switch Assembly (500, 501)
6	52709300	1	Switch Assembly (Includes Items 2 thru 5) (500, 501)
7	00432300	AR	Harness, Wiring-Light and Handwarmer (002, 003, 004, 005, 006, 102, 103, 300, 301, 302, 303, 304, 502)
	00432400	AR	Harness, Wire-Light and Handwarmer, 12V (500, 501)
8	06403800	1	Washer, Flat Steel .51 x .88 x .024
9	06310900	1	Washer, Locking Internal .56 x .04
10	02485700	1	Switch, On/Off Hand Warmer
11	00524700	1	15 AMP Fuse
12	07532900	2	Hand Warmer with Terminal (Recommend Fast Drying Epoxy for Installation)
13	09207600	AR	Boot, Switch (Optional)

CONTINUITY DIAGRAM

Model 926500, 501

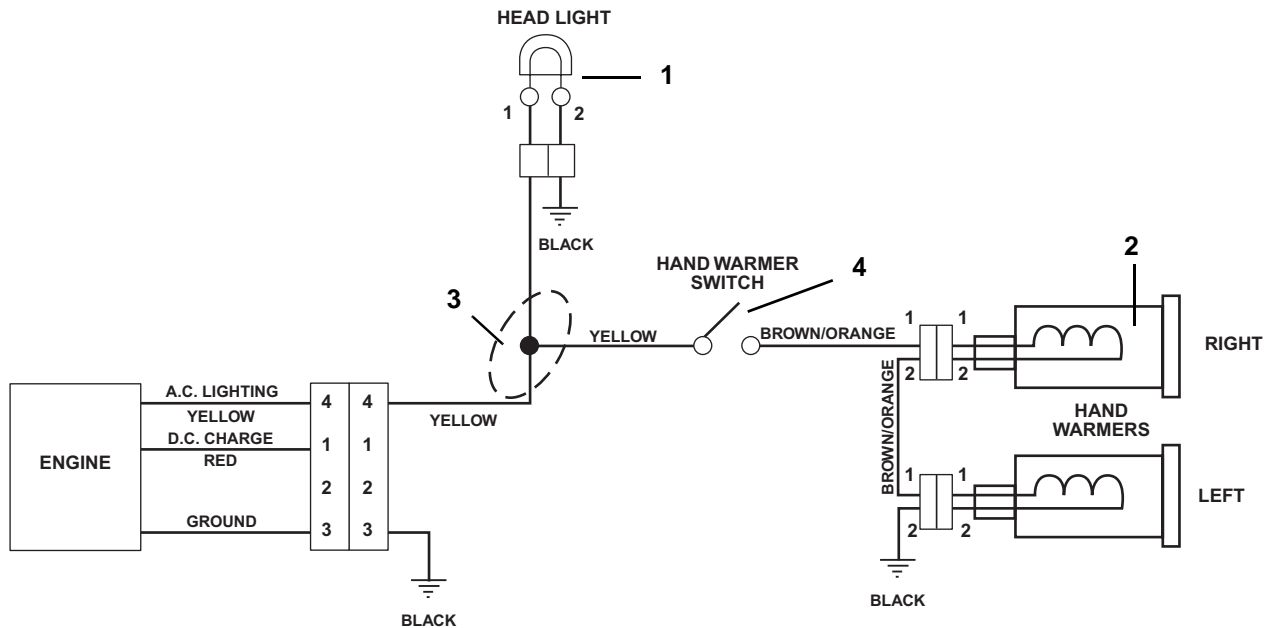
The diagrams below show the various states of connection for electrical components.
The solid lines on switches show continuity.

NOTE: All switches are viewed from the rear.

<p>Key Switch (02739600)</p> <div style="display: flex; justify-content: space-around; margin-top: 10px;"> <div style="text-align: center;">OFF</div> <div style="text-align: center;">RUN</div> <div style="text-align: center;">START</div> </div>	<p>Hand Warmer Switch (02485700)</p> <div style="display: flex; justify-content: space-around; margin-top: 10px;"> <div style="text-align: center;">HAND WARMER OFF</div> <div style="text-align: center;">HAND WARMER ON</div> </div>
<p>Solenoid (Top View) (03679000)</p> <div style="display: flex; justify-content: space-around; margin-top: 10px;"> <div style="text-align: center;">NOT ENERGIZED</div> <div style="text-align: center;">ENERGIZED</div> </div>	

CONTINUITY AND WIRING DIAGRAMS

Model 926002, 003, 004, 005, 006, 102, 103, 300, 301, 302, 304, 502, 503



PS0830

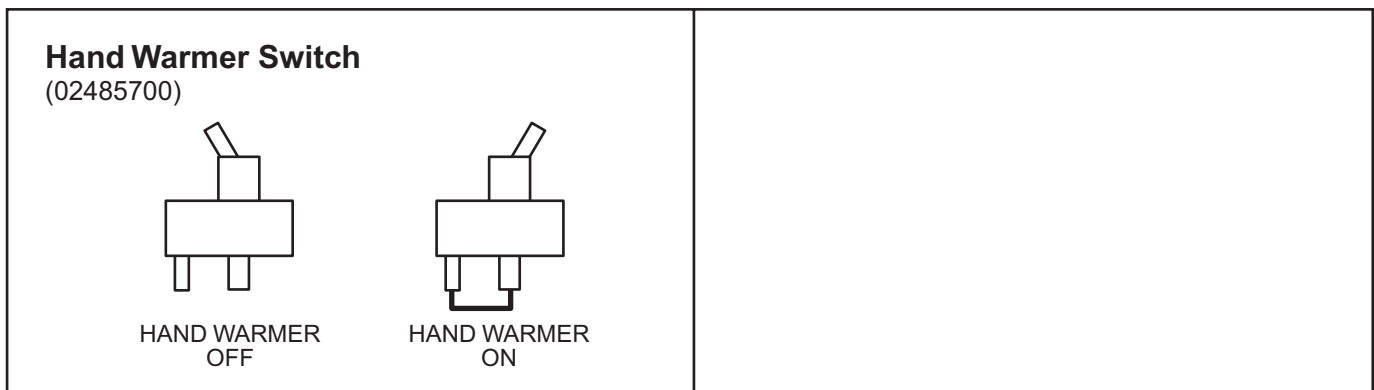
Item	Part No.	Qty.	Description
------	----------	------	-------------

1	00487500	1	Headlight Assembly, Halogen 862 37W
2	07532900	2	Warmer, Hand with Terminal (Recommend Fast Drying Epoxy for Installation)
3	00432300	1	Harness, Wire Light Handwarmer
4	02485700	1	Switch, On/Off Hand Warmer

The diagrams below show the various states of connection for electrical components.

The solid lines on switches show continuity.

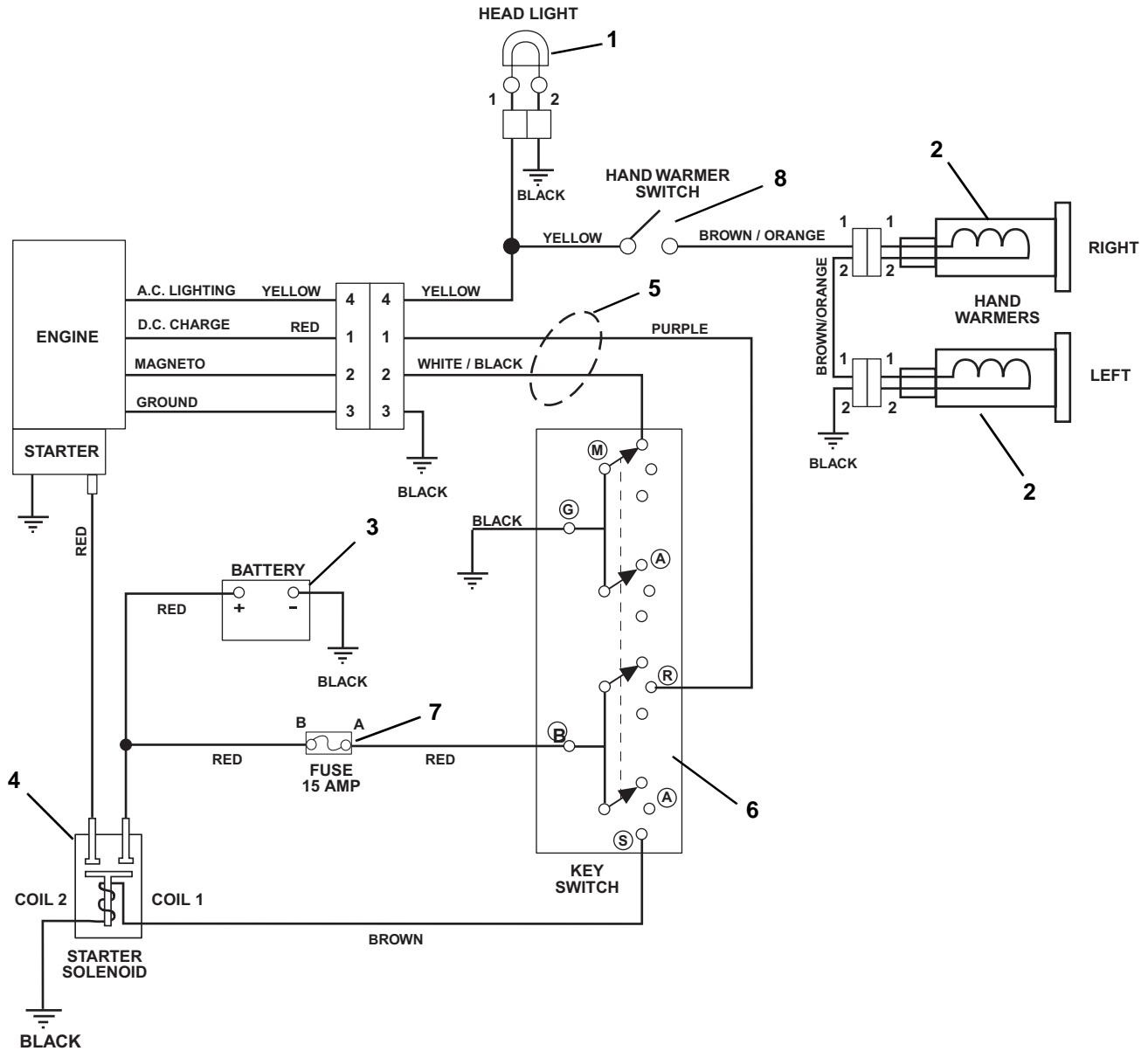
NOTE: All switches are viewed from the rear.



PS0820

WIRING DIAGRAM

Model 926500, 501

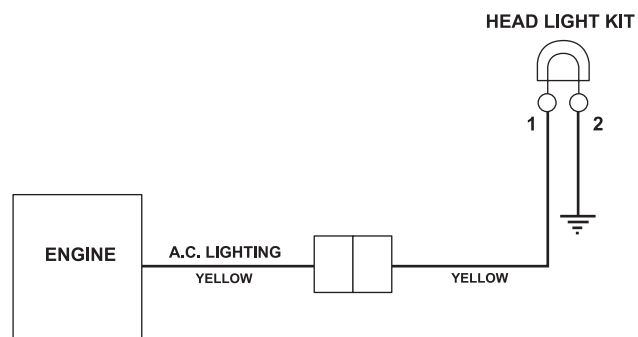
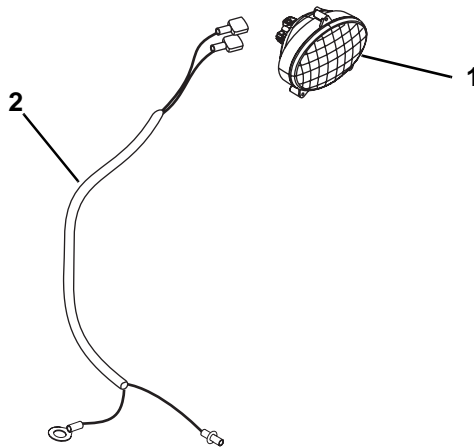


PS0672

Item	Part No.	Qty.	Description
1	00432500	1	Light, Halogen Assembly
2	07532900	2	Warmer, Hand with Terminal (Recommend Fast Drying Epoxy for Installation)
3		AR	Battery Recommend 240 Minimum CCA at 0° F. Size U1R or U1L
4	03679000	1	Solenoid
5	00432400	1	Harness, Wire-LT, HW, 12V
6	52709300	1	Switch Assembly
7	00524700	1	15 AMP Fuse
8	02485700	1	Switch, On/Off Hand Warmer

ELECTRICAL AND WIRING DIAGRAM

Model 926001, 101, 504



PS0900

Item	Part No.	Qty.	Description
1	00487500	AR	Headlight Assembly, Halogen 862 37W
2	00432200	1	Harness, Wire Light



Ariens Company
655 West Ryan Street
P.O. Box 157
Brillion, WI 54110-0157
920-756-2141
Fax 920-756-2407
www.ariens.com